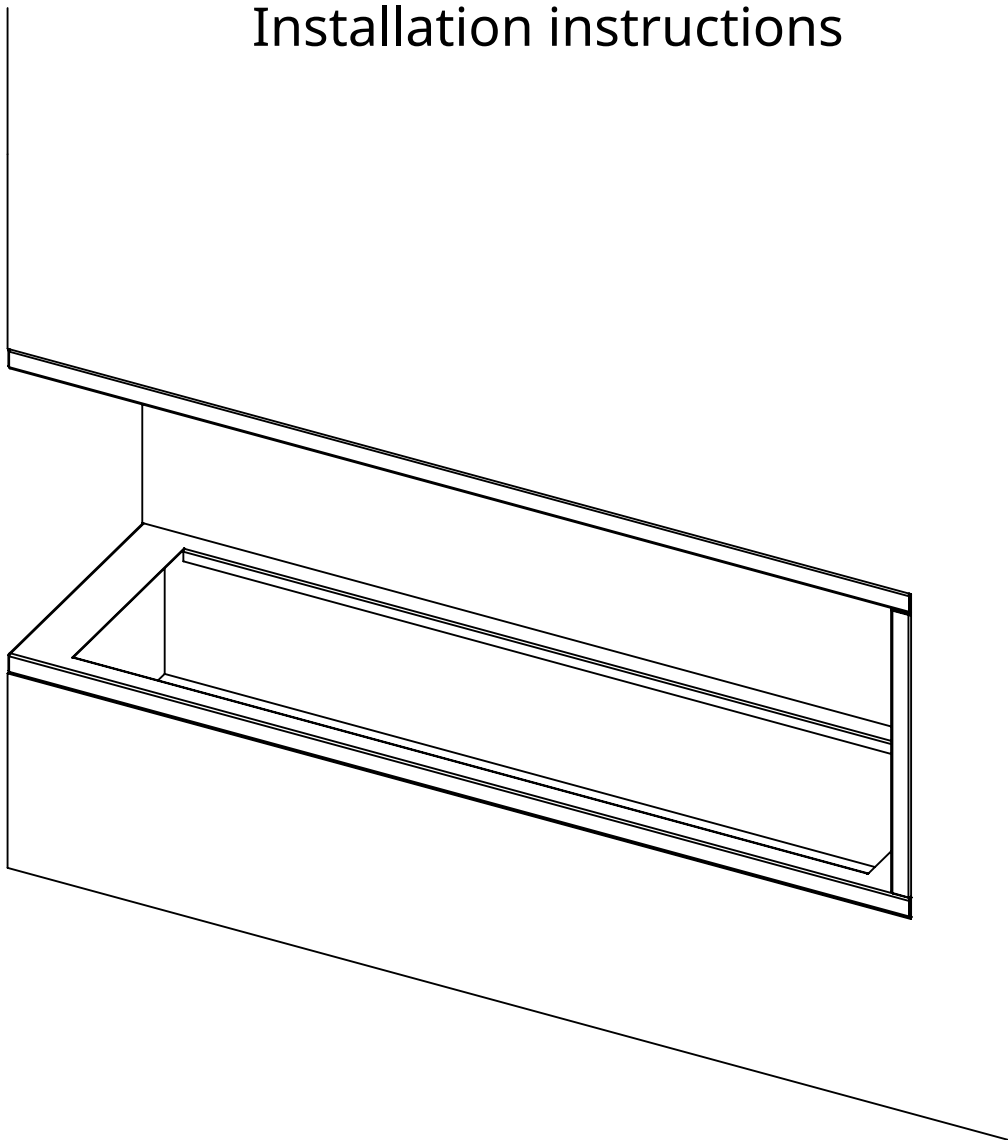
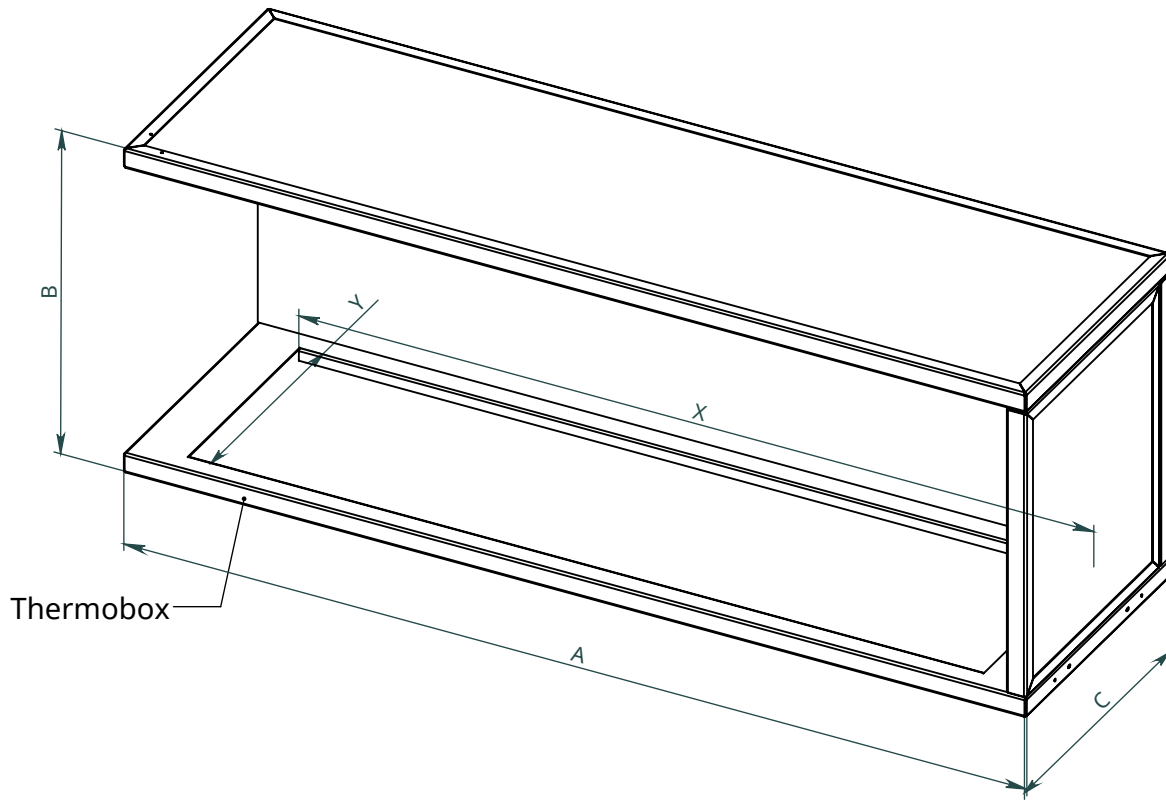


x
neverdark

Thermobox Left Corner Standard Installation (C2-TLC)

for fireplaces Chalet-II
Installation instructions



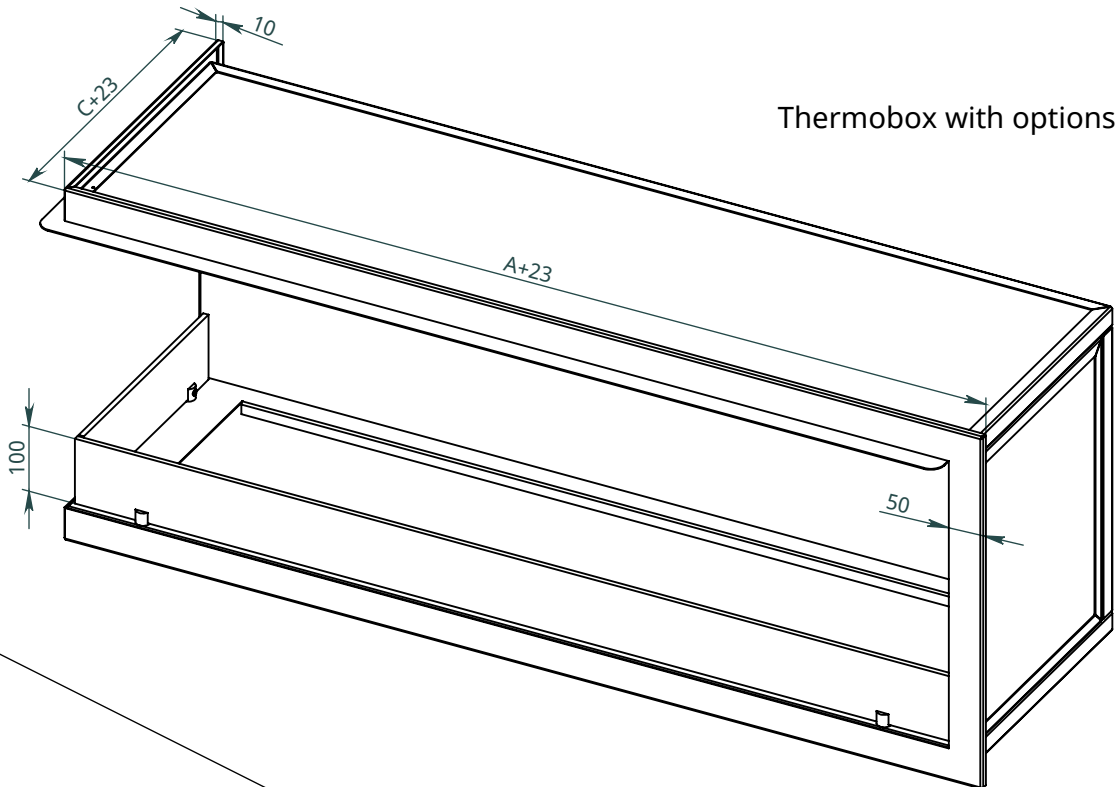


	Thermobox			Fireplace	
	A	B	C	X	Y
Model	Length of the thermobox	Height of the thermobox	Depth of the thermobox	Burner length	Width of the fireplace
C2-TLC-800	800	500	410	700	320
C2-TLC-1050	1050			950	
C2-TLC-1300	1300			1200	

NEVERDARK Standard Installation
 Thermobox Left Corner for Chalet-II
 (C2-TLC)

Options

Thermobox with options



Available options:

RS - Reflection screen (black glossy glass)

F - Frame (outer decorative metal frame)

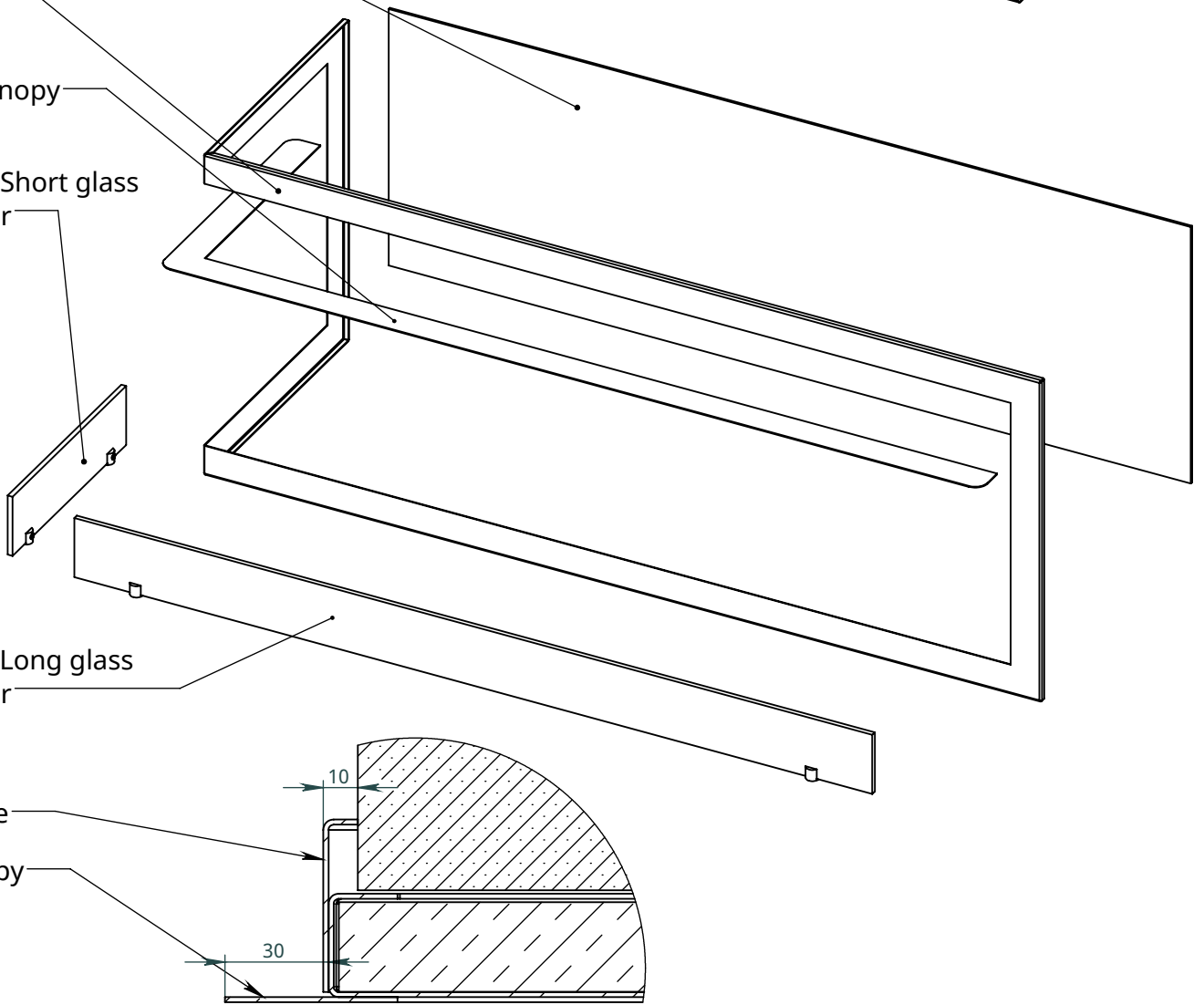
C - Canopy

SGB - Short glass border

LGB - Long glass border

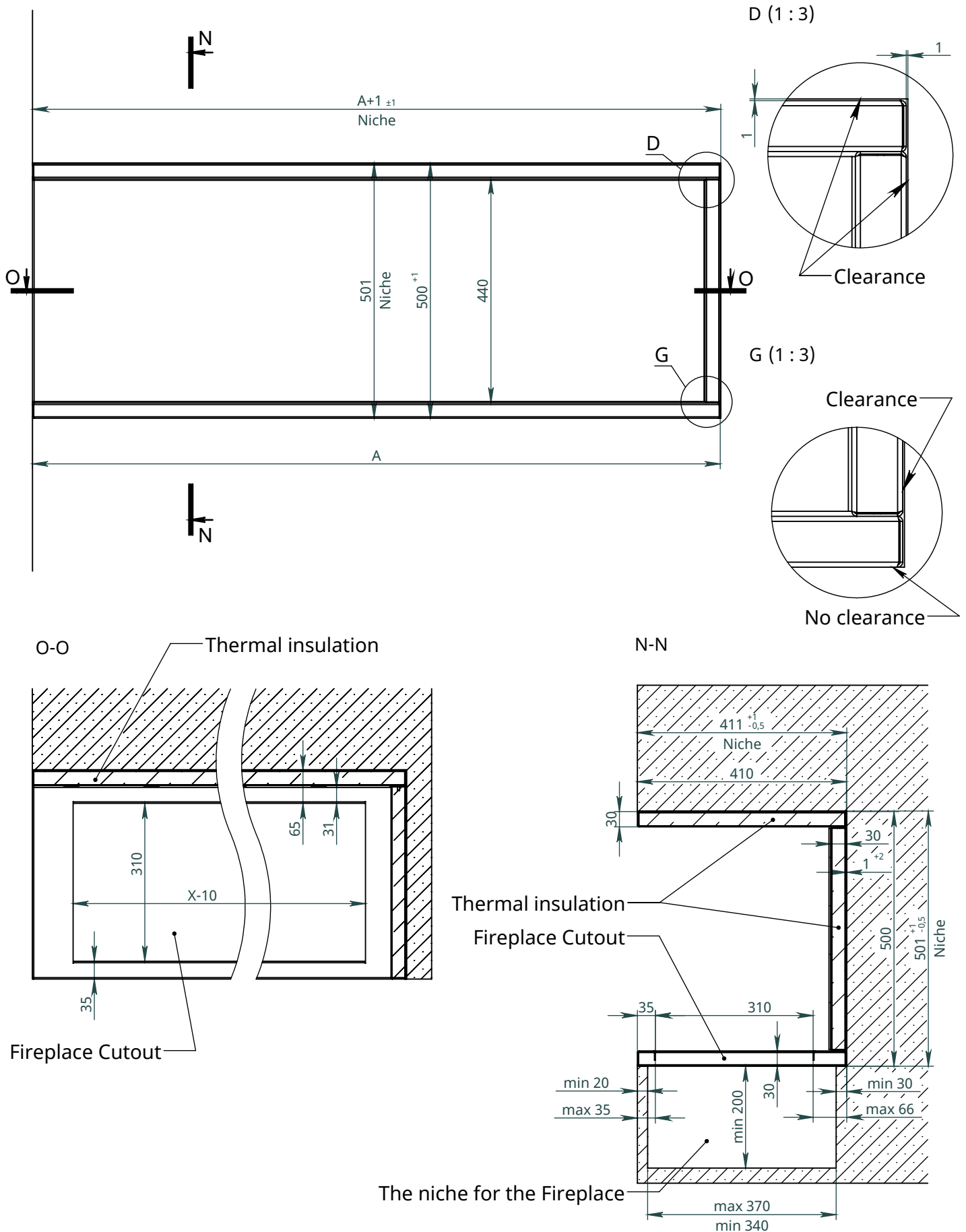
Frame

Canopy



NEVERDARK Standard Installation
 Thermobox Left Corner for Chalet-II
 (C2-TLC)

Dimensions



NEVERDARK Standard Installation
 Thermobox Left Corner for Chalet-II
 (C2-TLC)

