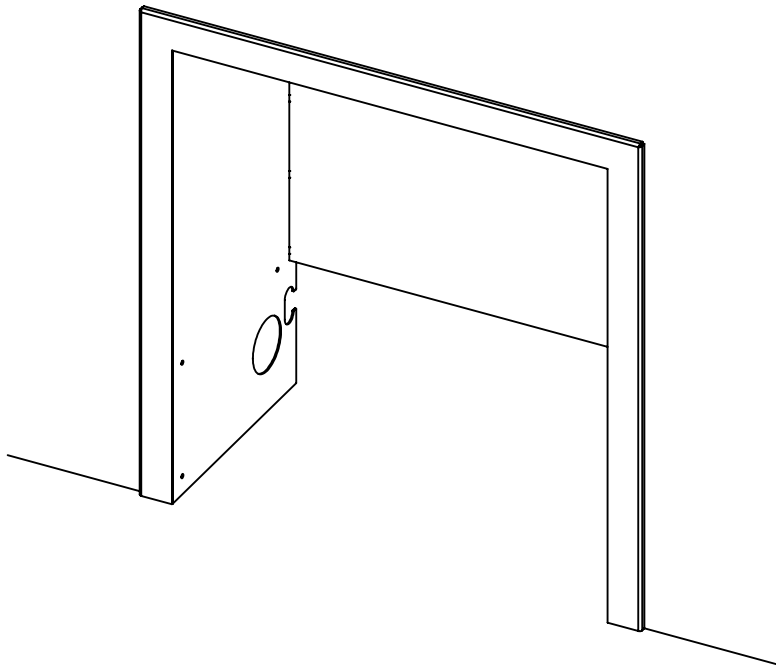
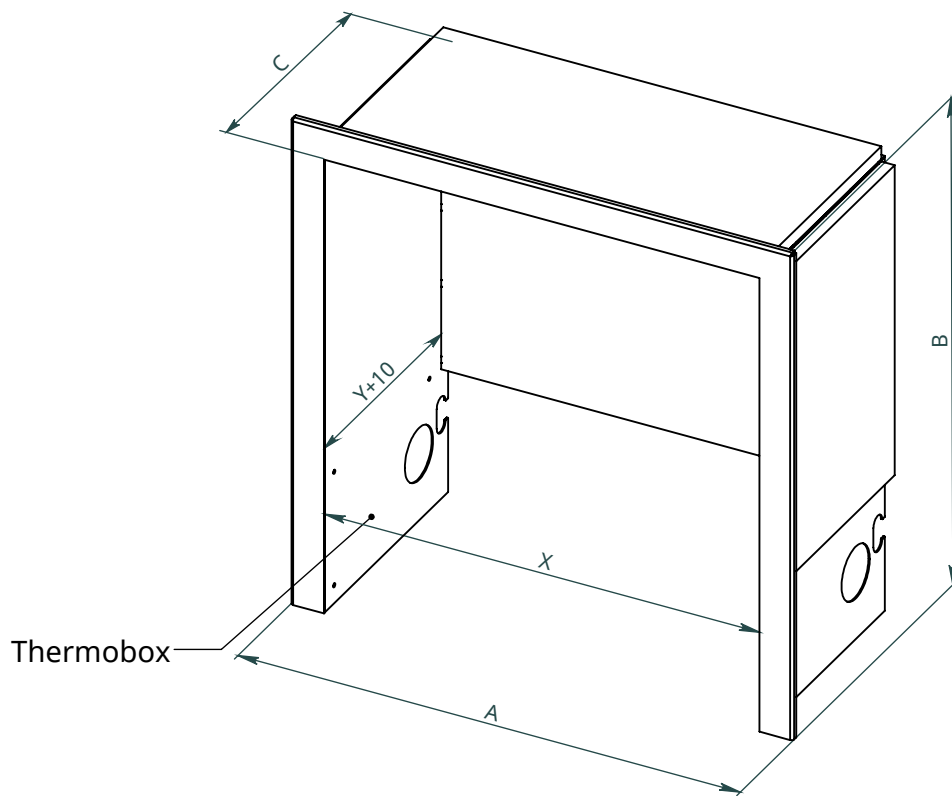


x
neverdark

Chalet Box Standard Installation (F-C1-B-650)

for fireplaces Chalet-I
Installation instructions





	Thermobox			Fireplace	
	A	B	C	X	Y
Model	Length of the thermobox	Height of the thermobox	Depth of the thermobox	Burner length	Width of the fireplace
F-C1-B-650	751	750	354	650	250

