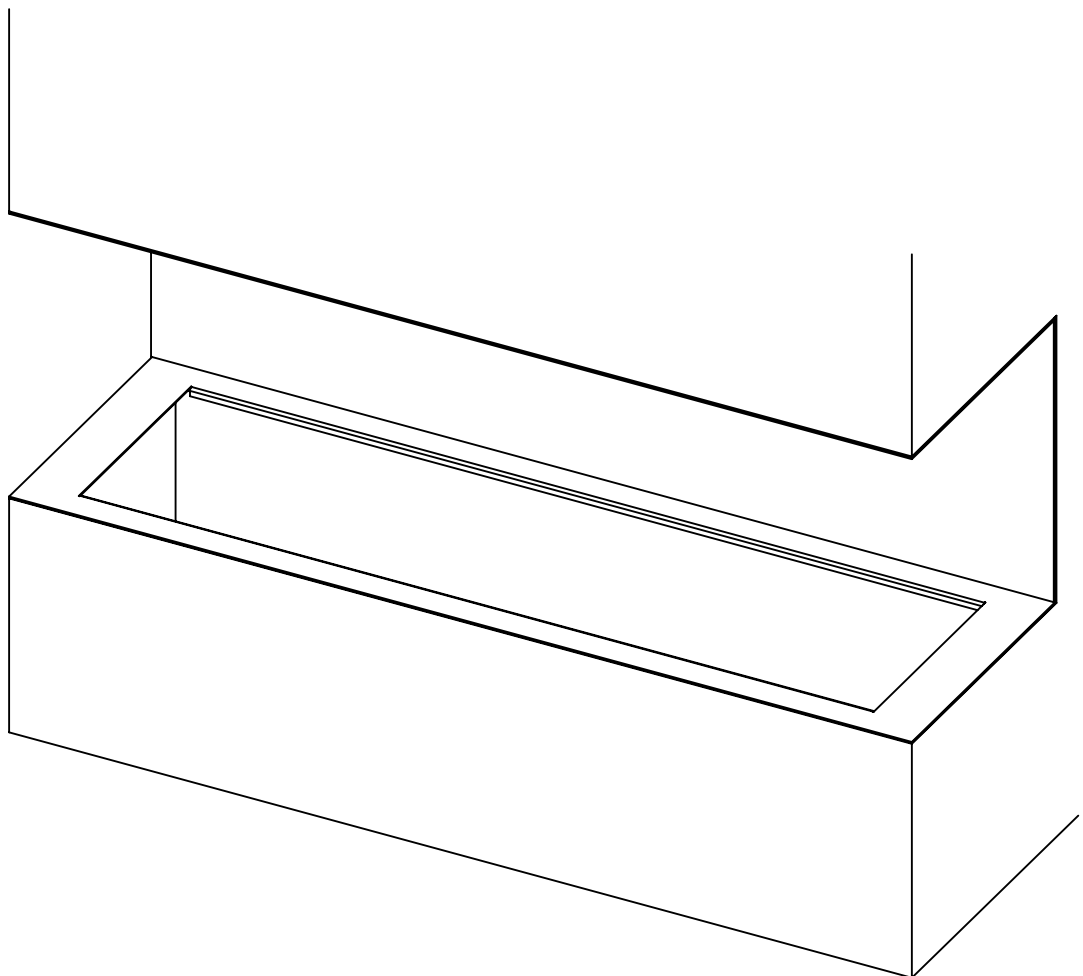
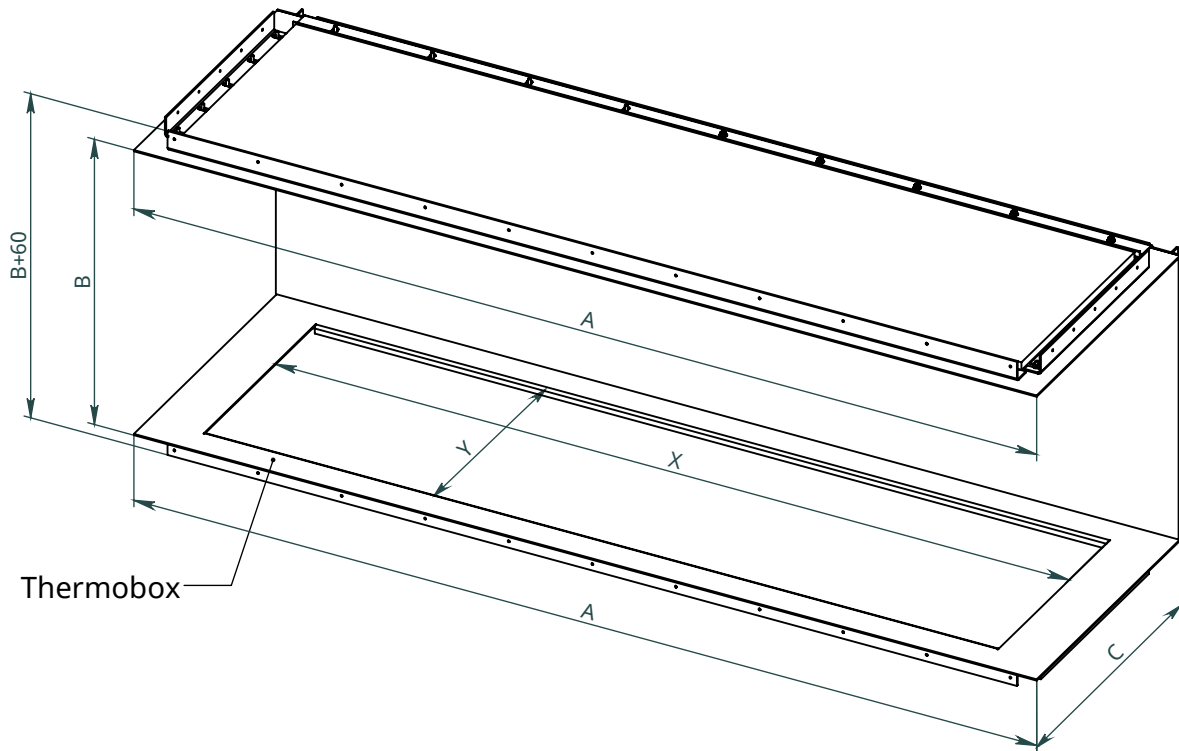


x
neverdark

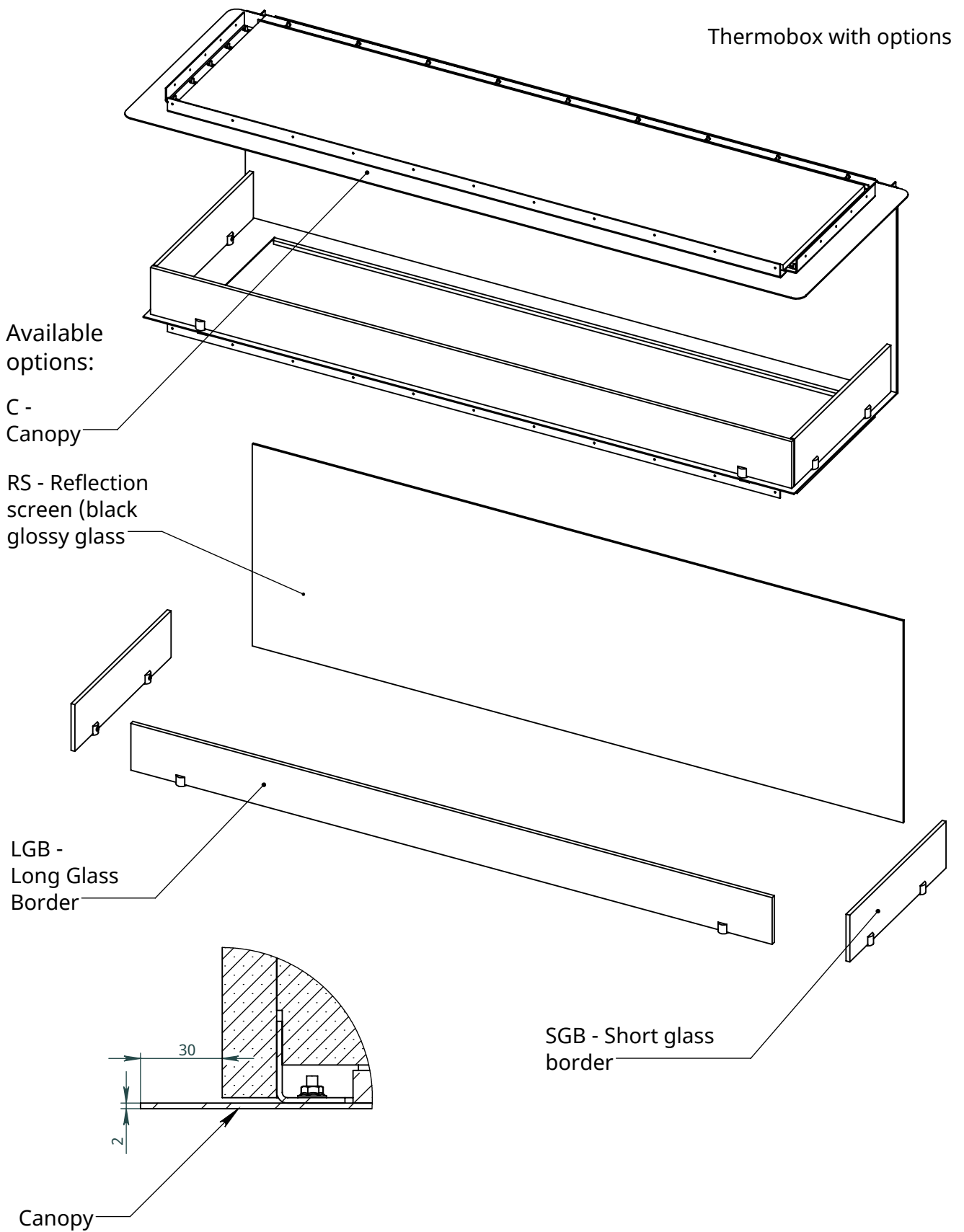
Thermobox Three-Sided Hidden Installation (C2-H-TTS)

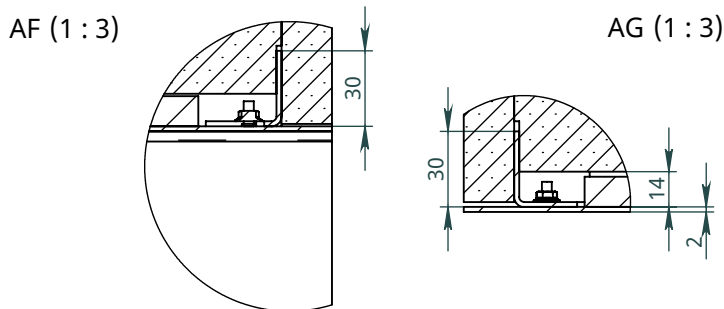
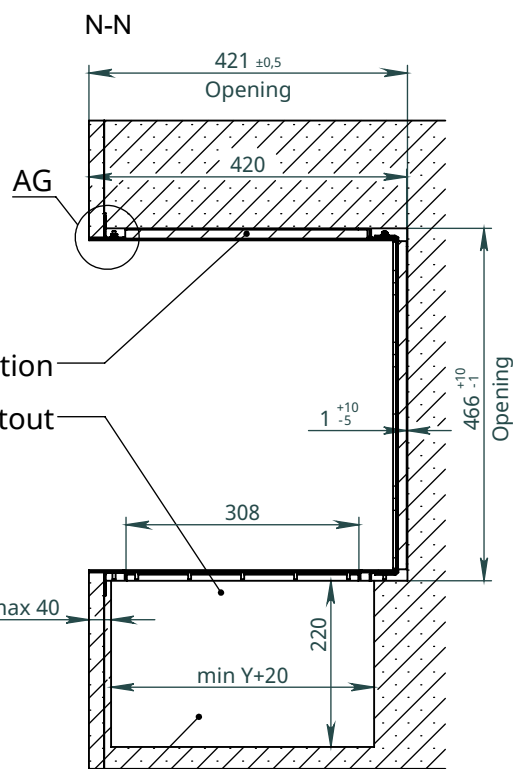
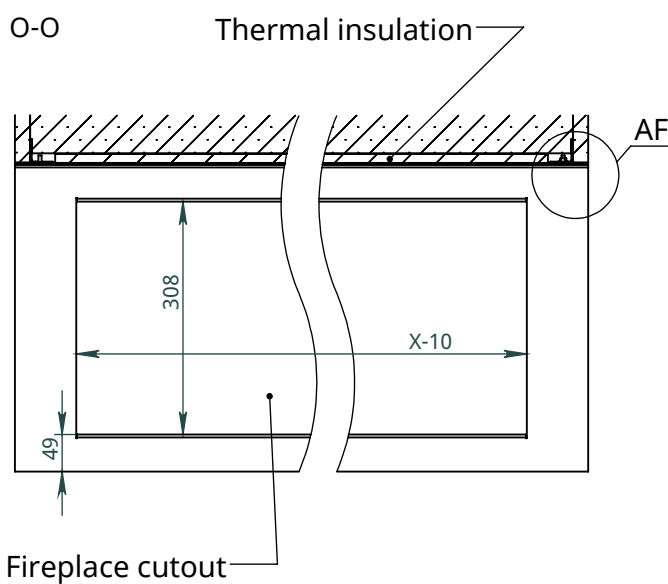
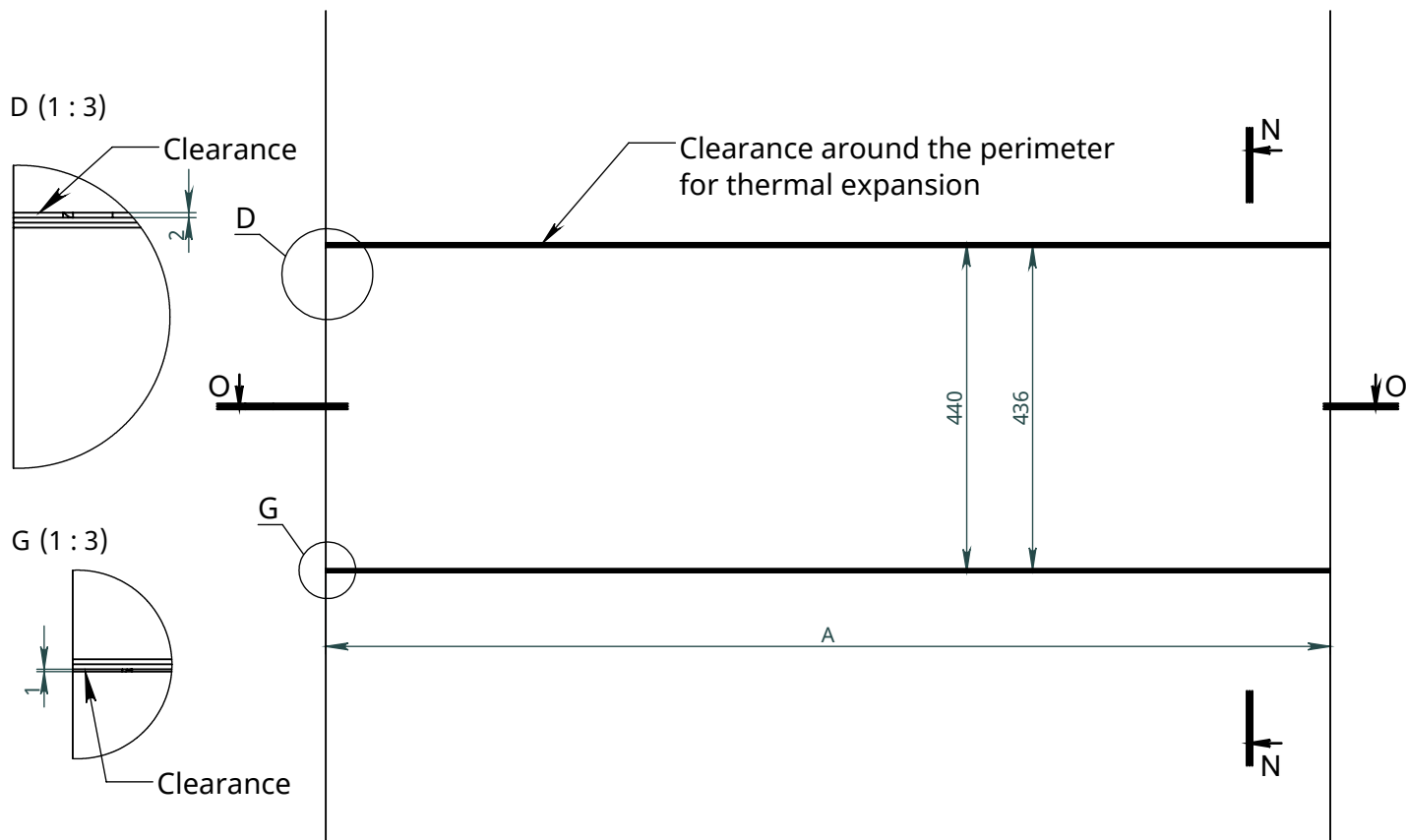
for fireplaces Chalet-II
Installation instructions

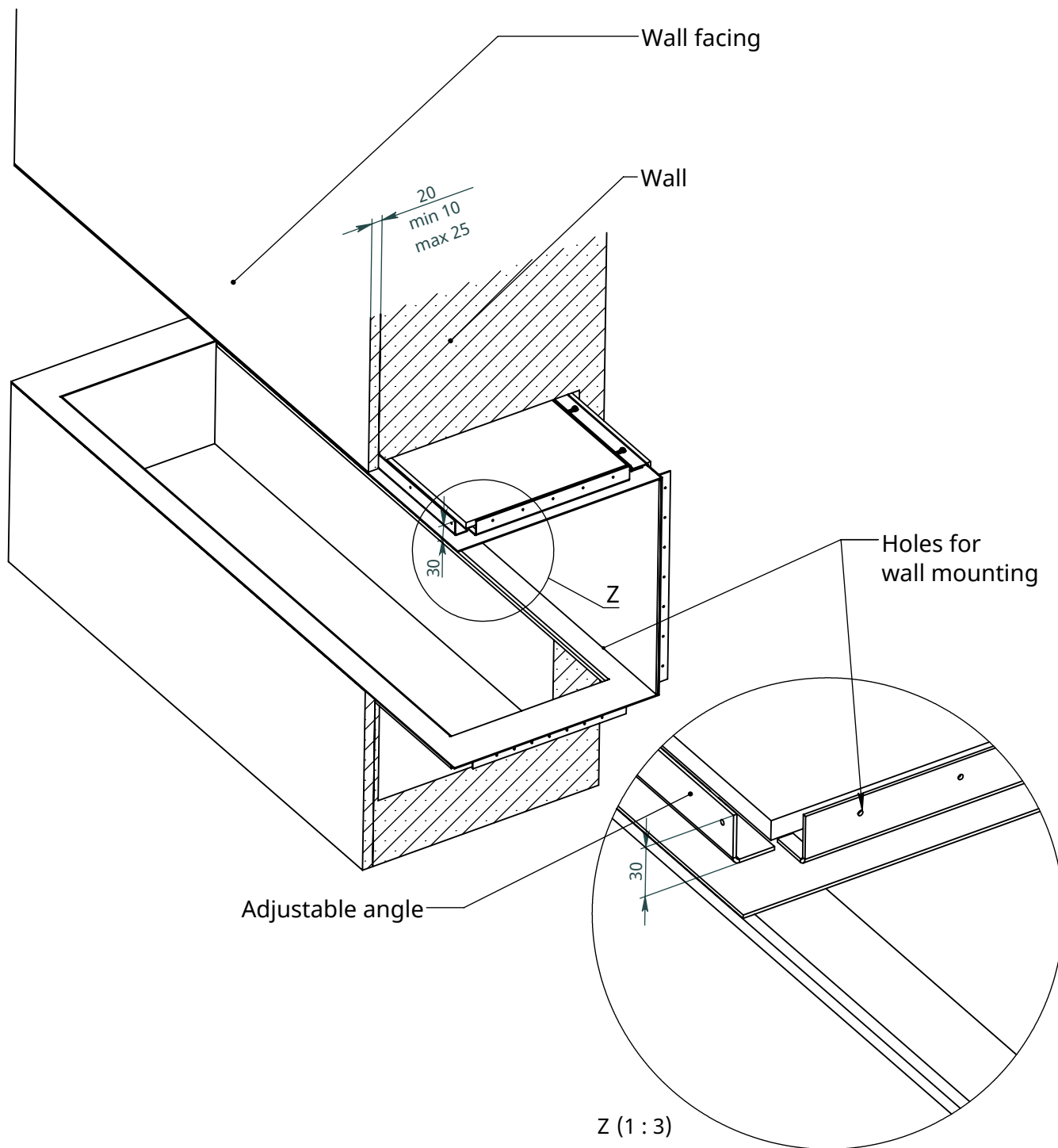




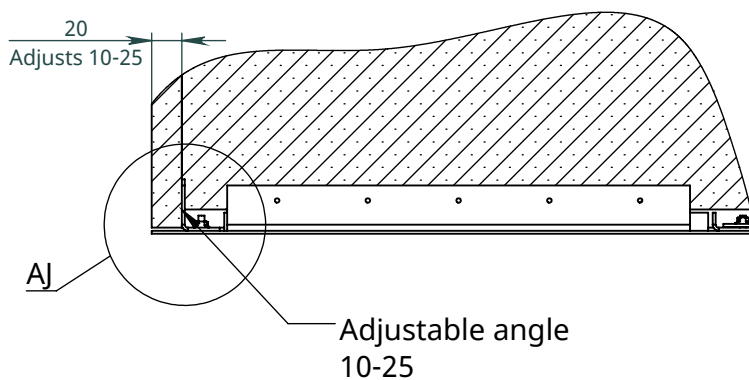
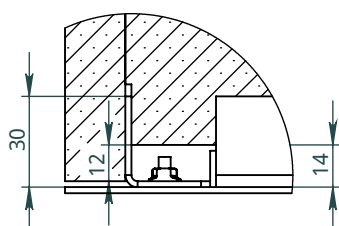
	Thermobox			Fireplace	
	A	B	C	X	Y
Model	Length of the thermobox	Height of the thermobox	Depth of the thermobox	Burner length	Width of the fireplace
C2-H-TTS-800	800	440	420	700	320
C2-H-TTS-1050	1050			950	
C2-H-TTS-1300	1300			1200	







AJ (2 : 5)

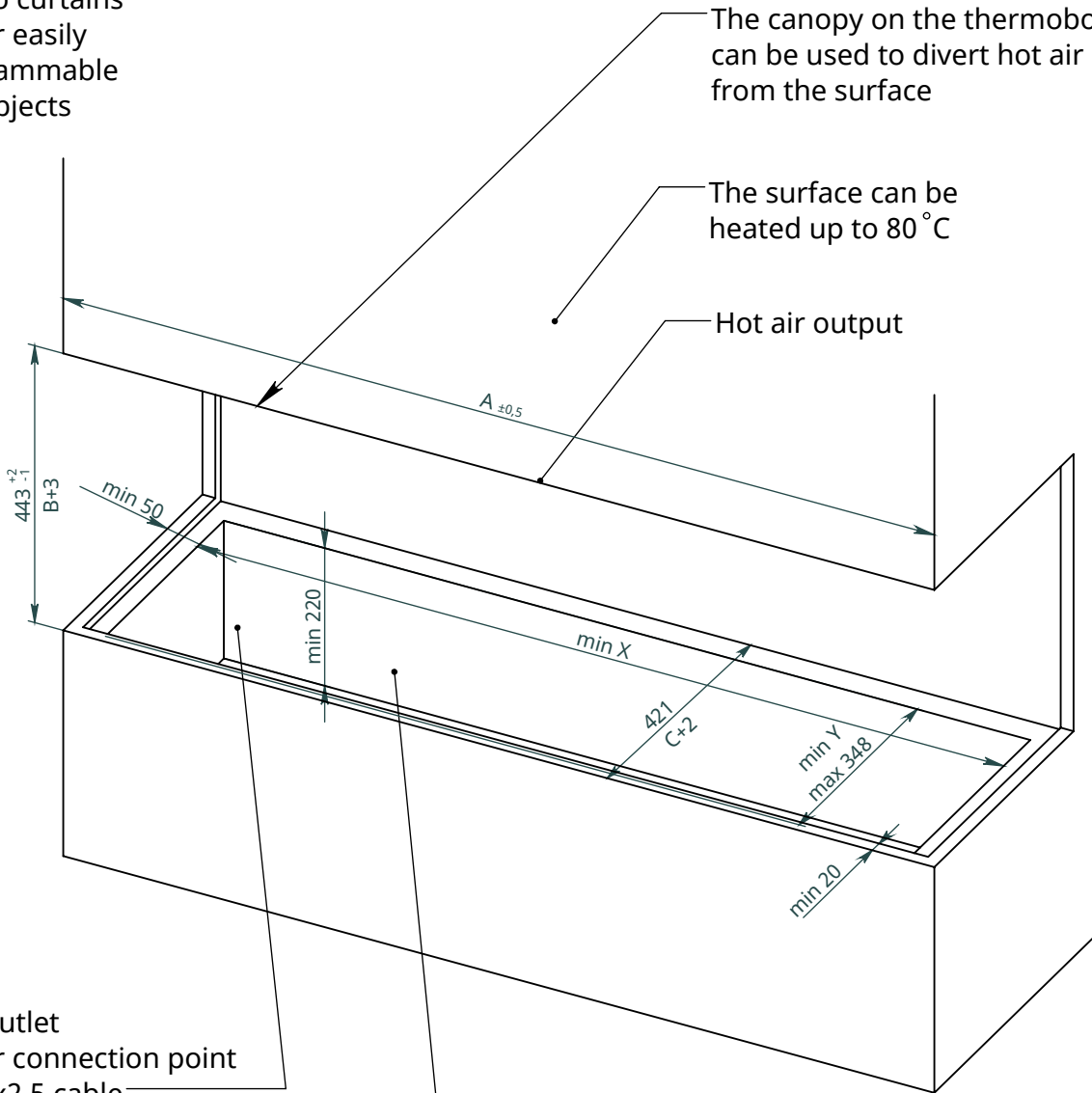


min 500 mm
 To curtains
 or easily
 flammable
 objects

The canopy on the thermobox
 can be used to divert hot air
 from the surface

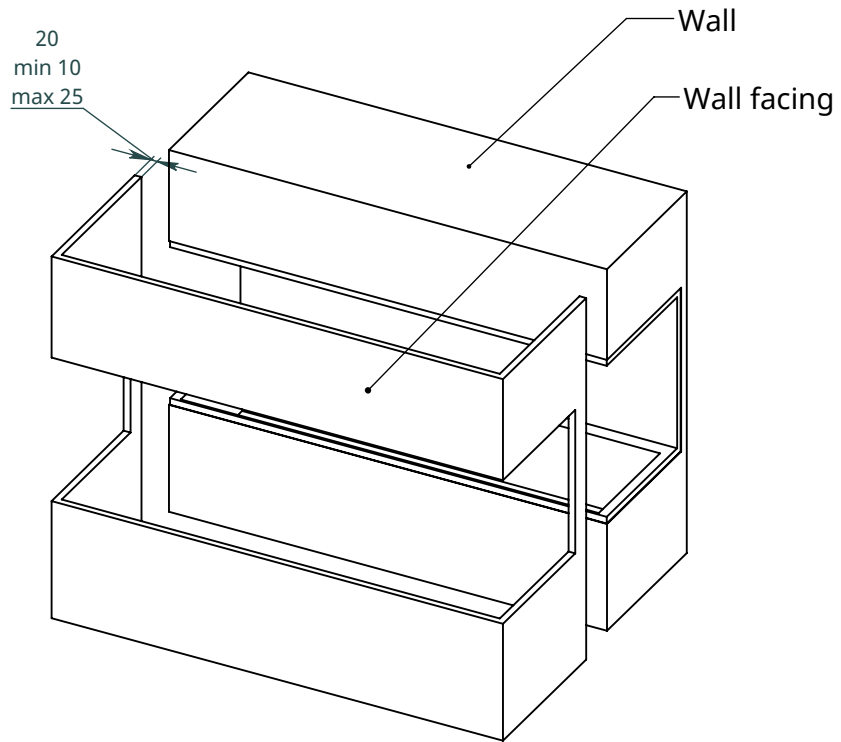
The surface can be
 heated up to 80 °C

Hot air output

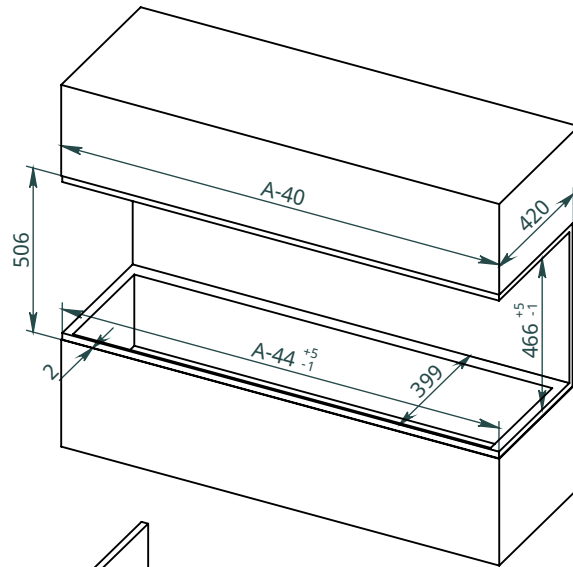


Outlet
 or connection point
 3x2.5 cable

Required
 air supply
 into the fireplace niche
 at least 100 cm²



Wall



Wall facing

