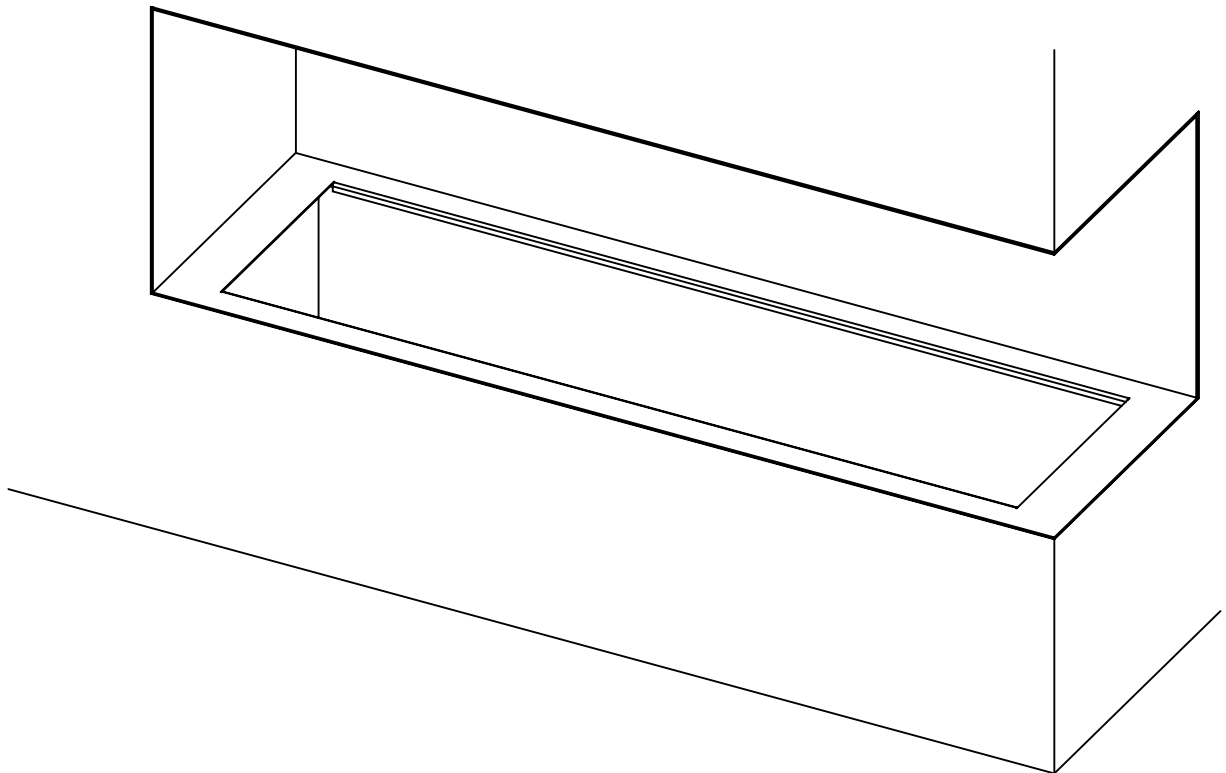
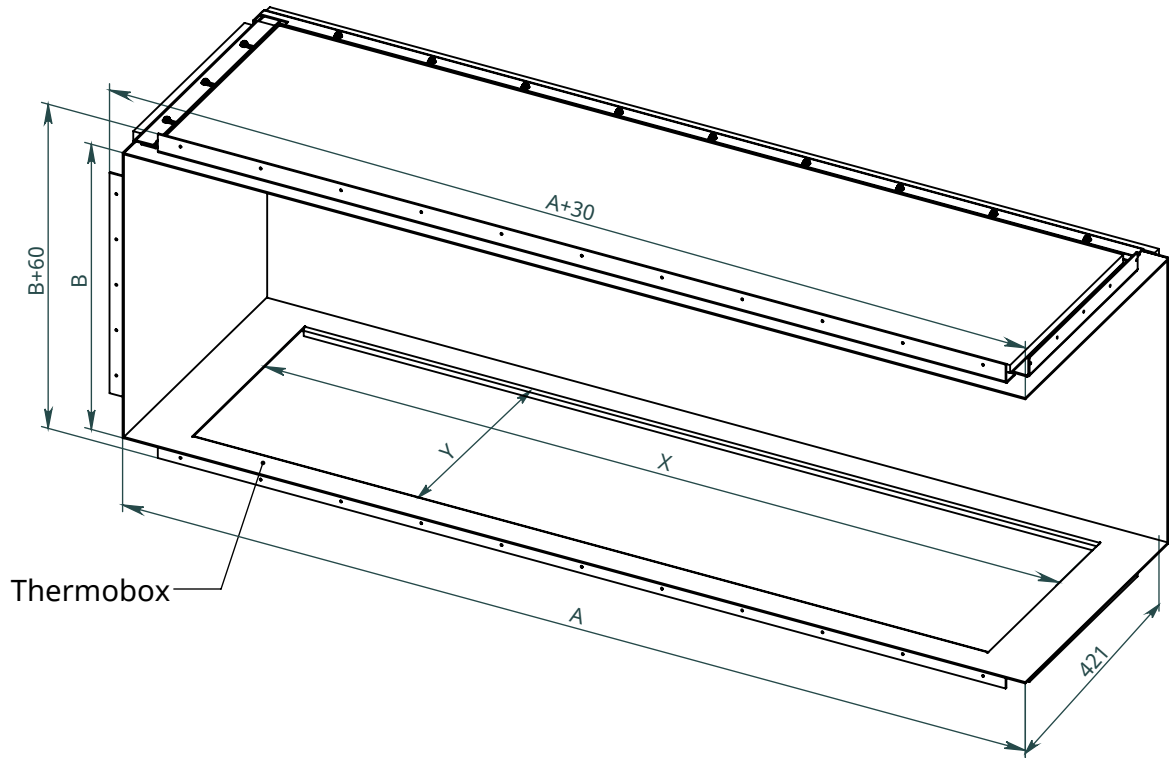


x
neverdark

Thermobox Right Corner Hidden Installation (C2-H-TRC)

for fireplaces Chalet-II
Installation instructions





	Thermobox			Fireplace	
	A	B	C	X	Y
Model	Length of the thermobox	Height of the thermobox	Depth of the thermobox	Burner length	Width of the fireplace
C2-H-TRC-800	800	440	420	700	320
C2-H-TRC-1050	1050			950	
C2-H-TRC-1300	1300			1200	

Thermobox with options

Available options:

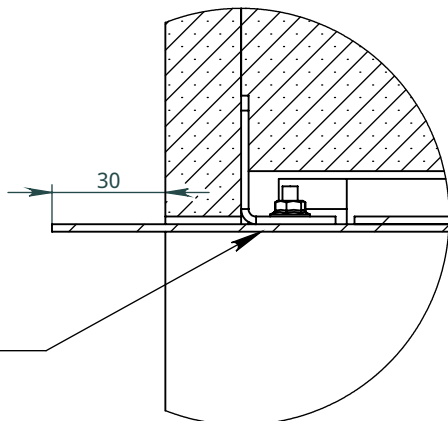
C - Canopy

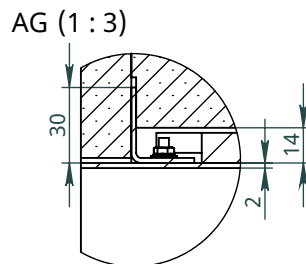
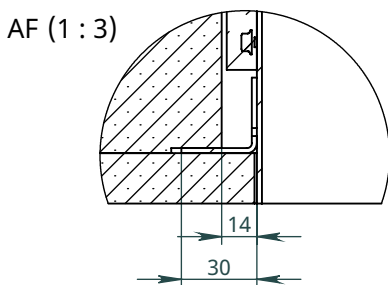
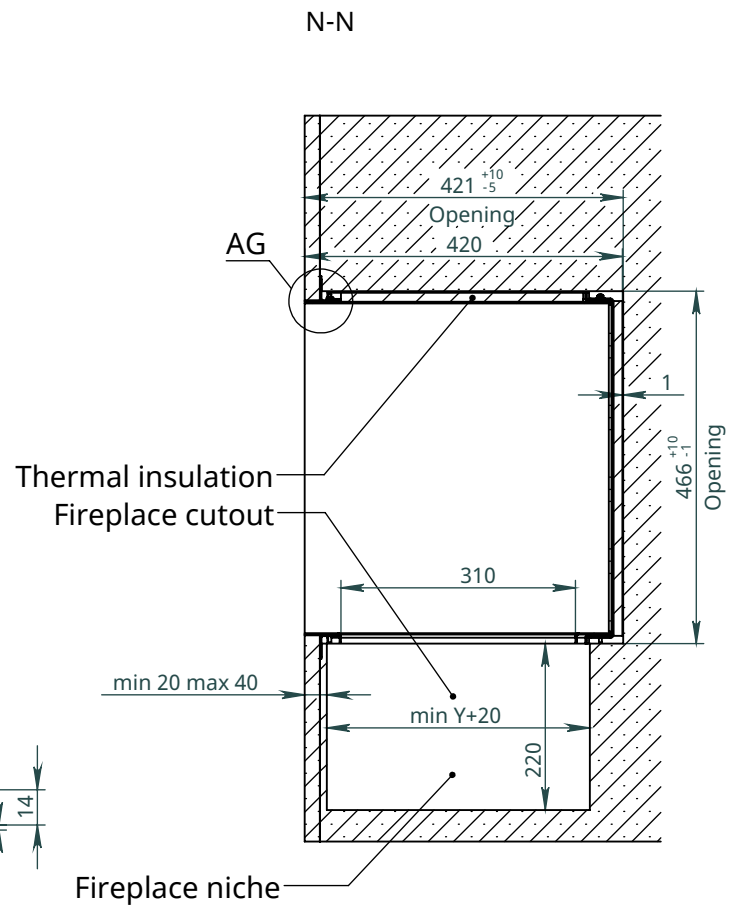
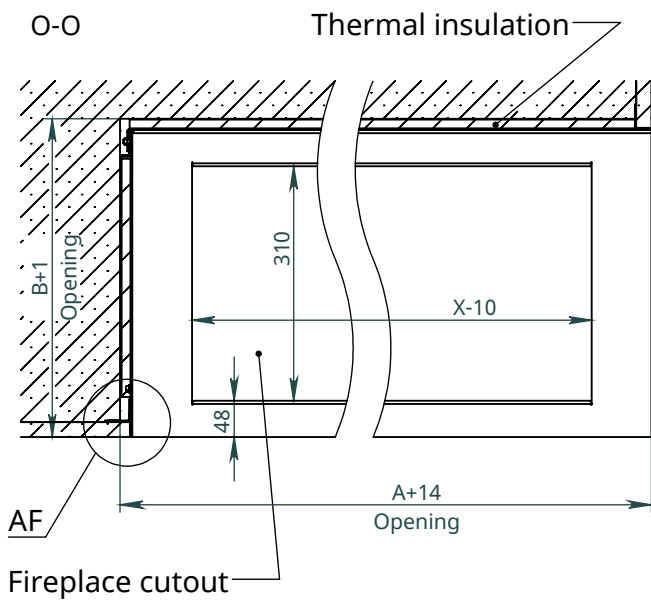
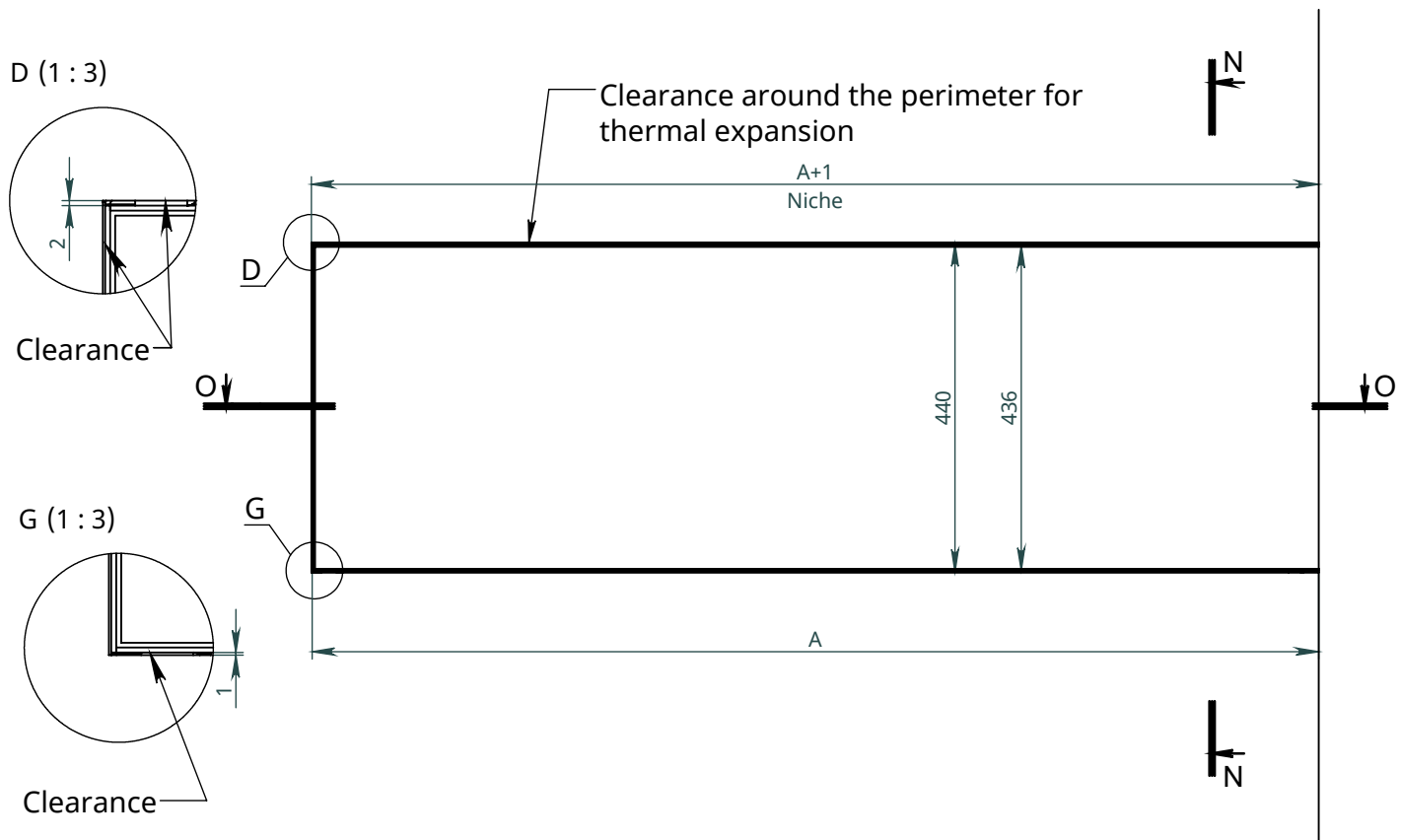
RS - Reflection screen (black glossy glass)

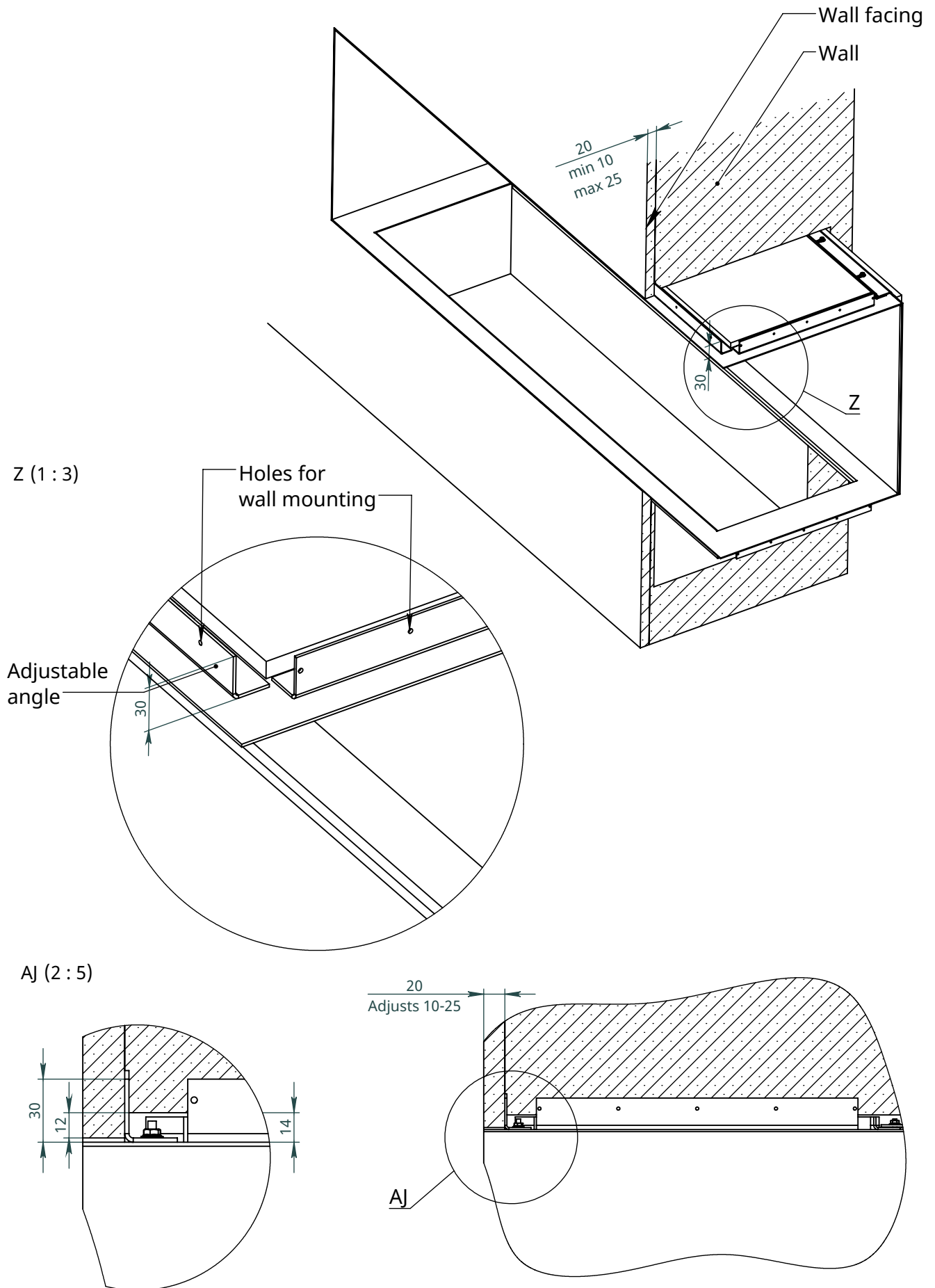
LGB - Long Glass Border

SGB - Short glass border

Canopy







NEVERDARK Hidden Installation
 Thermobox Right Corner for Chalet-II
 (C2-H-TRC)

Niche

