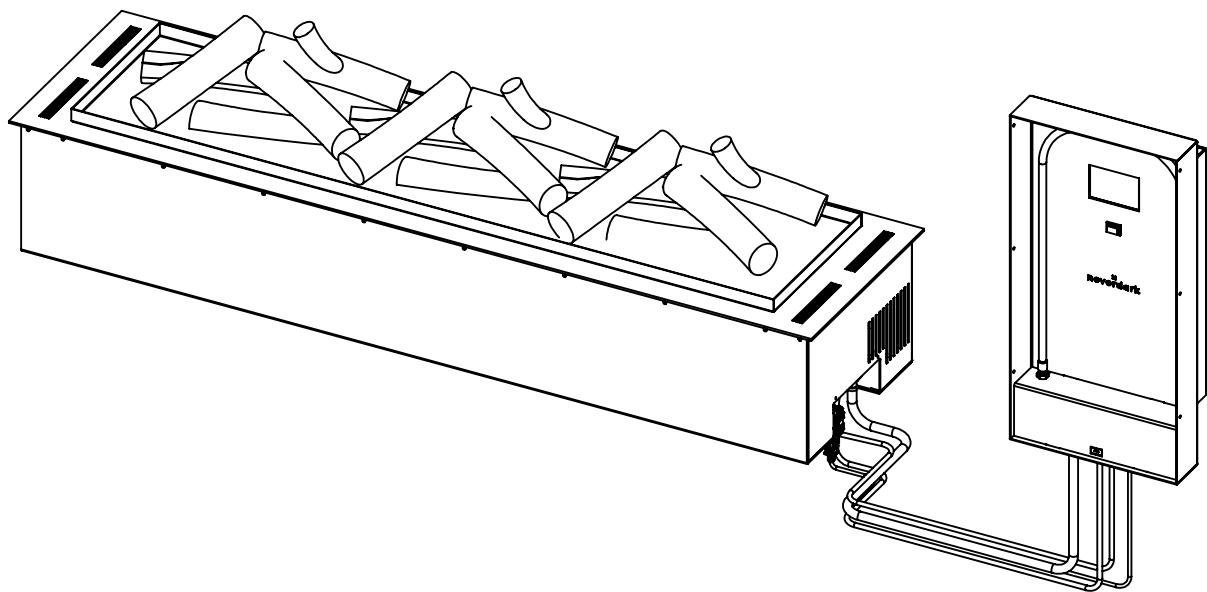
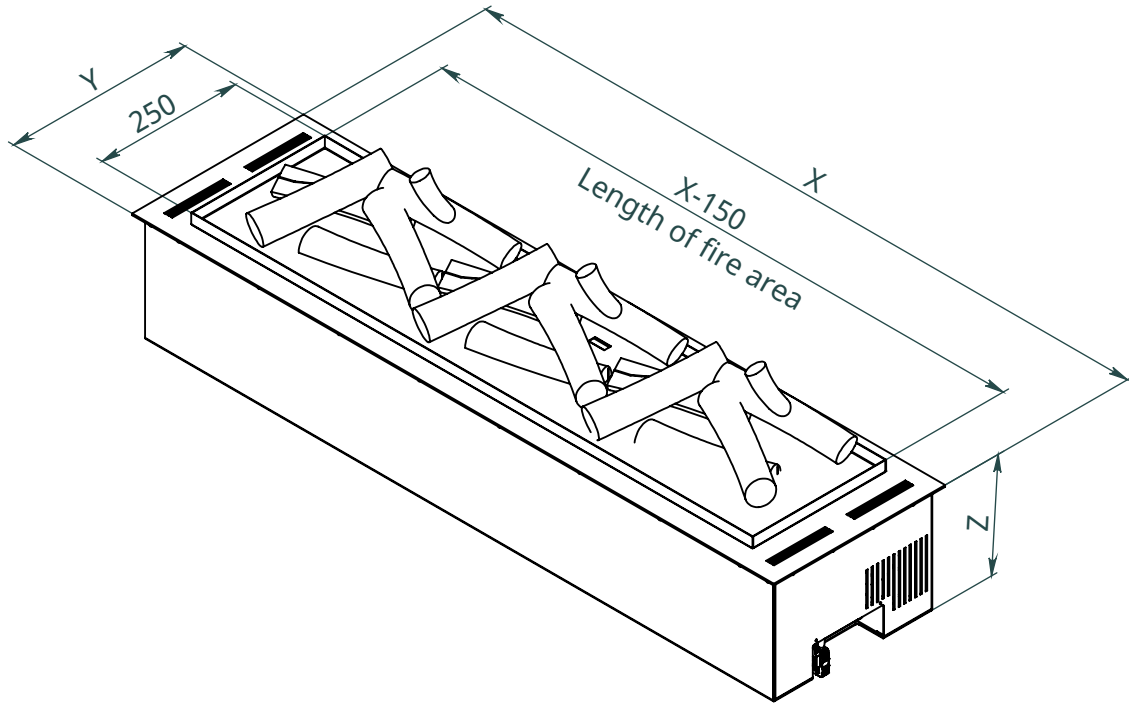


x
neverdark

Smart fireplace CHALET-II (C2)

Technical documentation

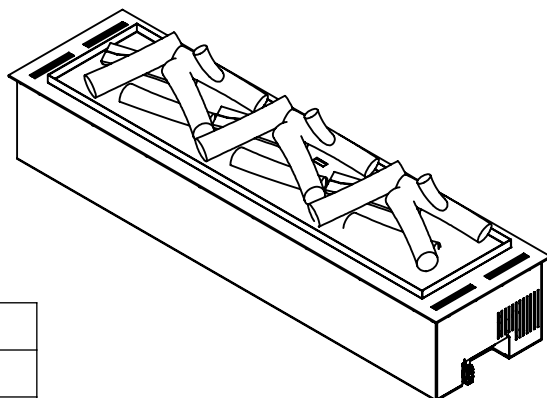




		X	Y	Z	
Model	Code	Length, mm	Width, mm	Height, mm	Weight, kg
Chalet-II 700 +ARS	C2-700	700	320	205	21.1
Chalet-II 950 +ARS	C2-950	950			26
Chalet-II 1200 +ARS	C2-1200	1200			29

- Automatic bioethanol fireplace Chalet-II
- Manufacturer: Neverdark LLC, Ukraine
- This document is a part of the device
- For decorative and domestic use only

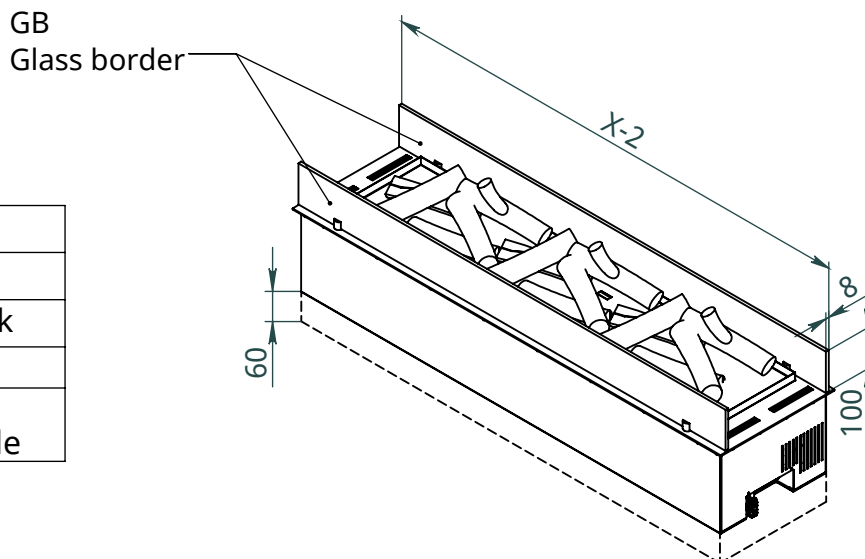
Standard configuration

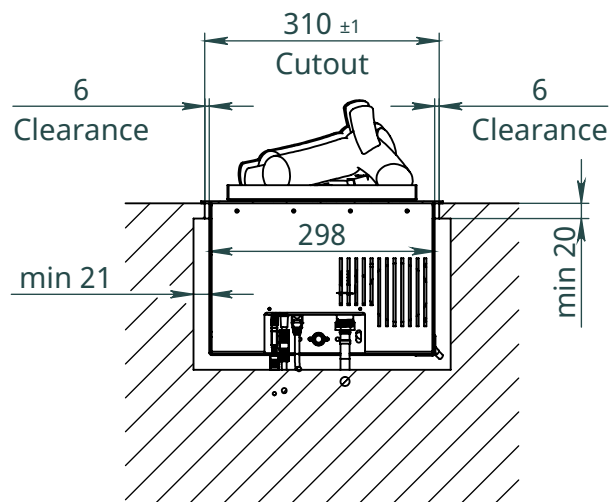
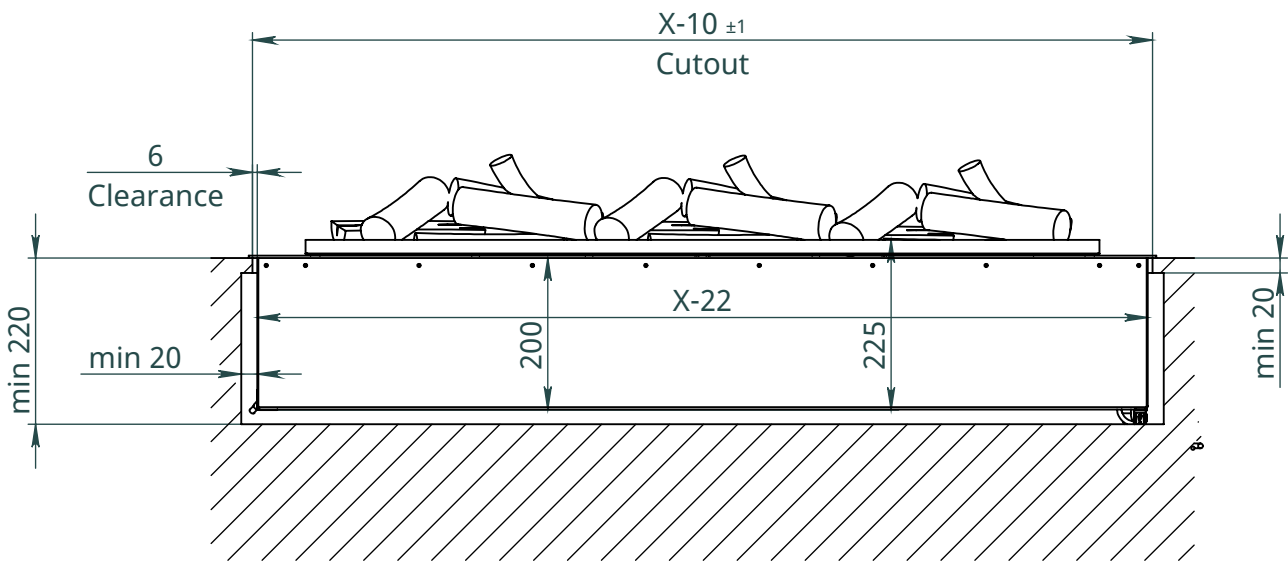
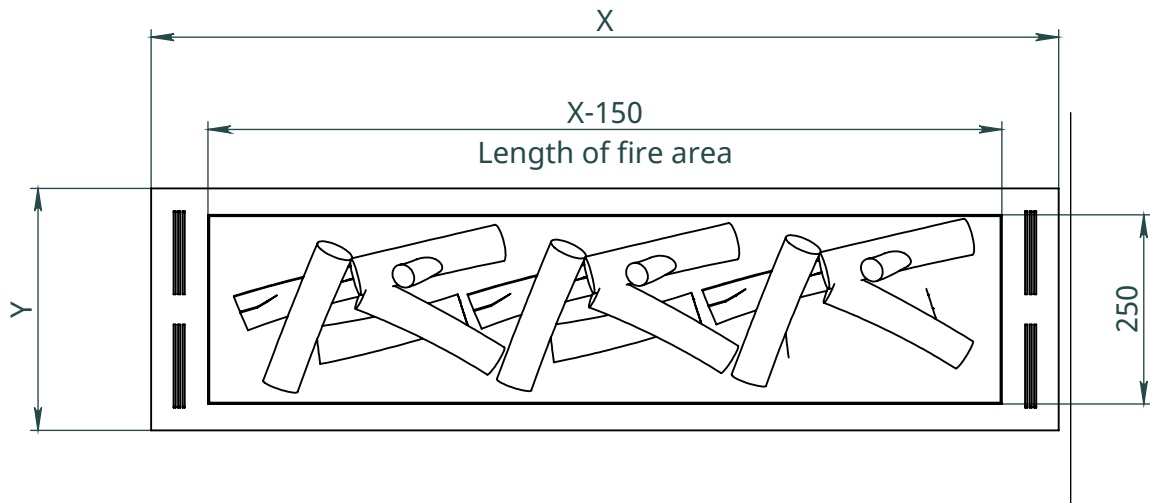


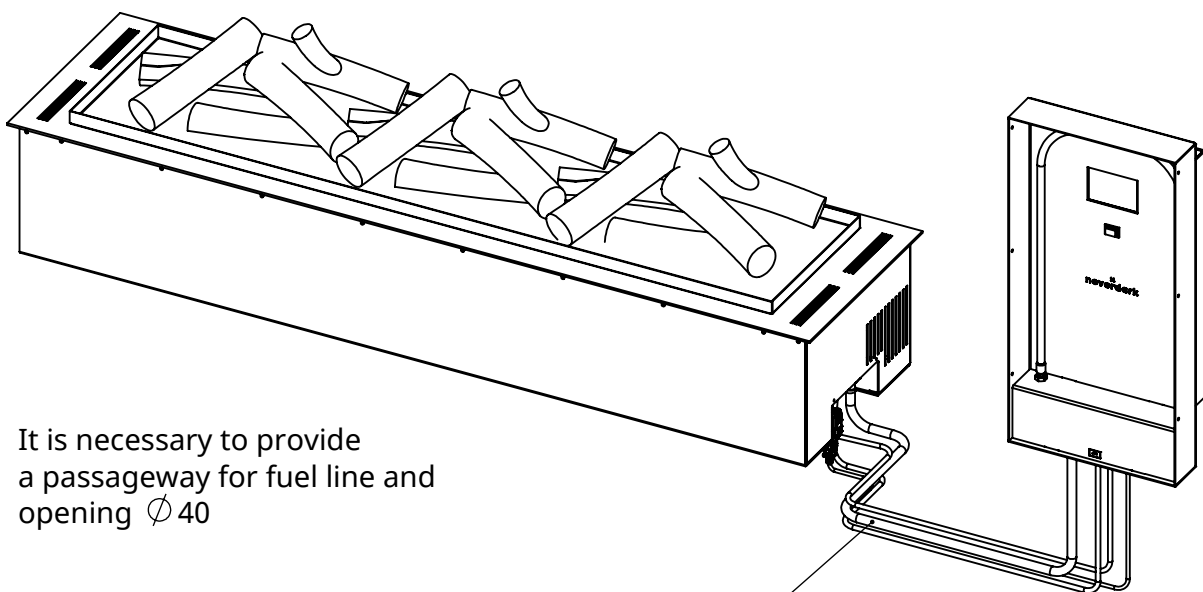
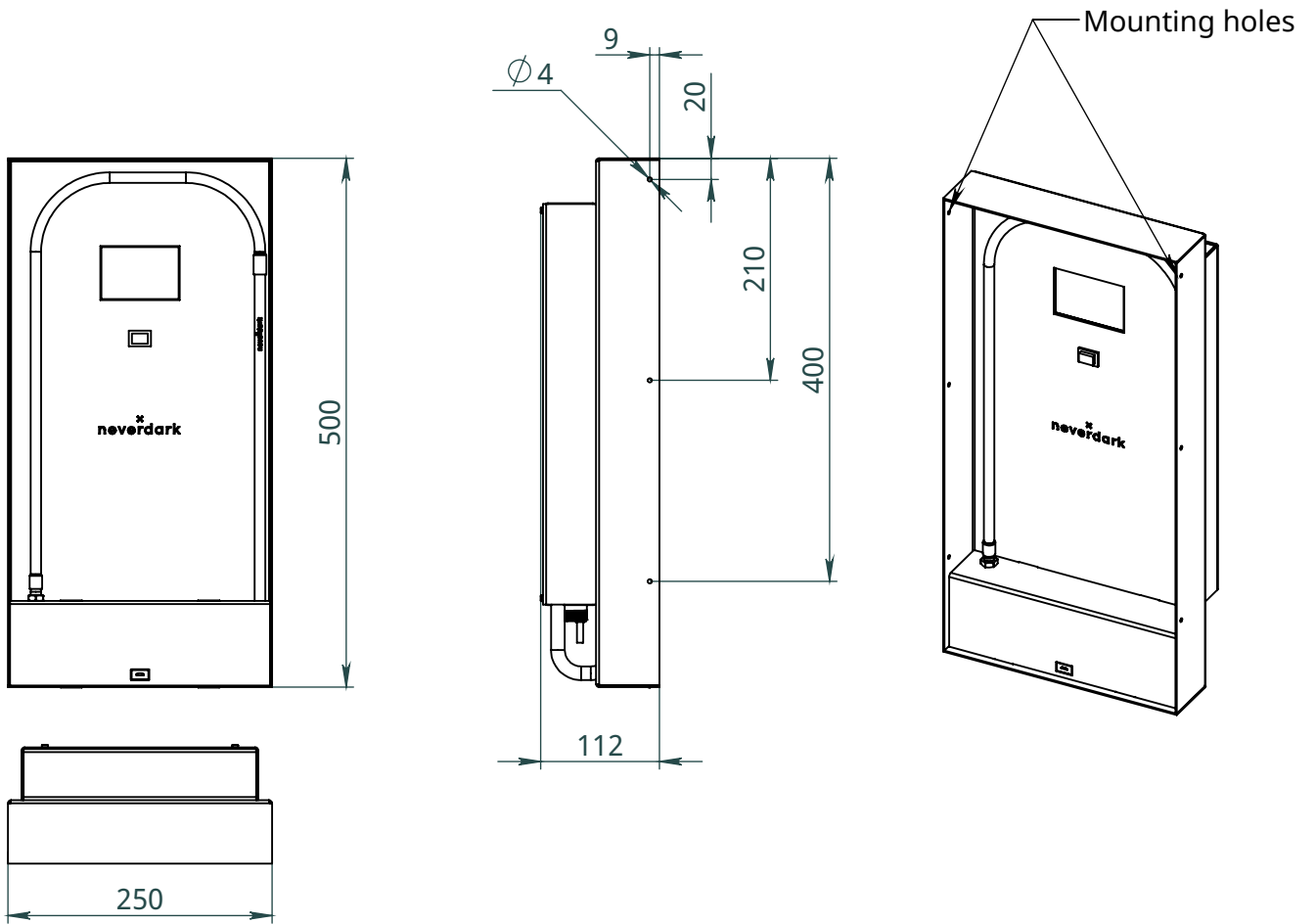
Fireplace	1pc
Decorative Stones	1set
Ceramic firewood	1set
Fiber for glow effect	1set
Power cable with plug (eur)	1pc
Filling hose	1pc
Fuel drain hose (service only)	1pc
Instructions	1pc
Warranty card	1pc
Micro USB cable (service only)	1pc
Packaging	1set
ARS	1pc
Fuel line for ARS	1pc
USB cable	1pc
High Voltage cable	1pc
Low Voltage cable (RJ45)	1pc

Available options

CT(R)	Custom Top (RAL)
GB(1,2)	Glass Border
EFT	Enlarged Fuel Tank
RC	Remote Control
SH	Smart Home Connection Module

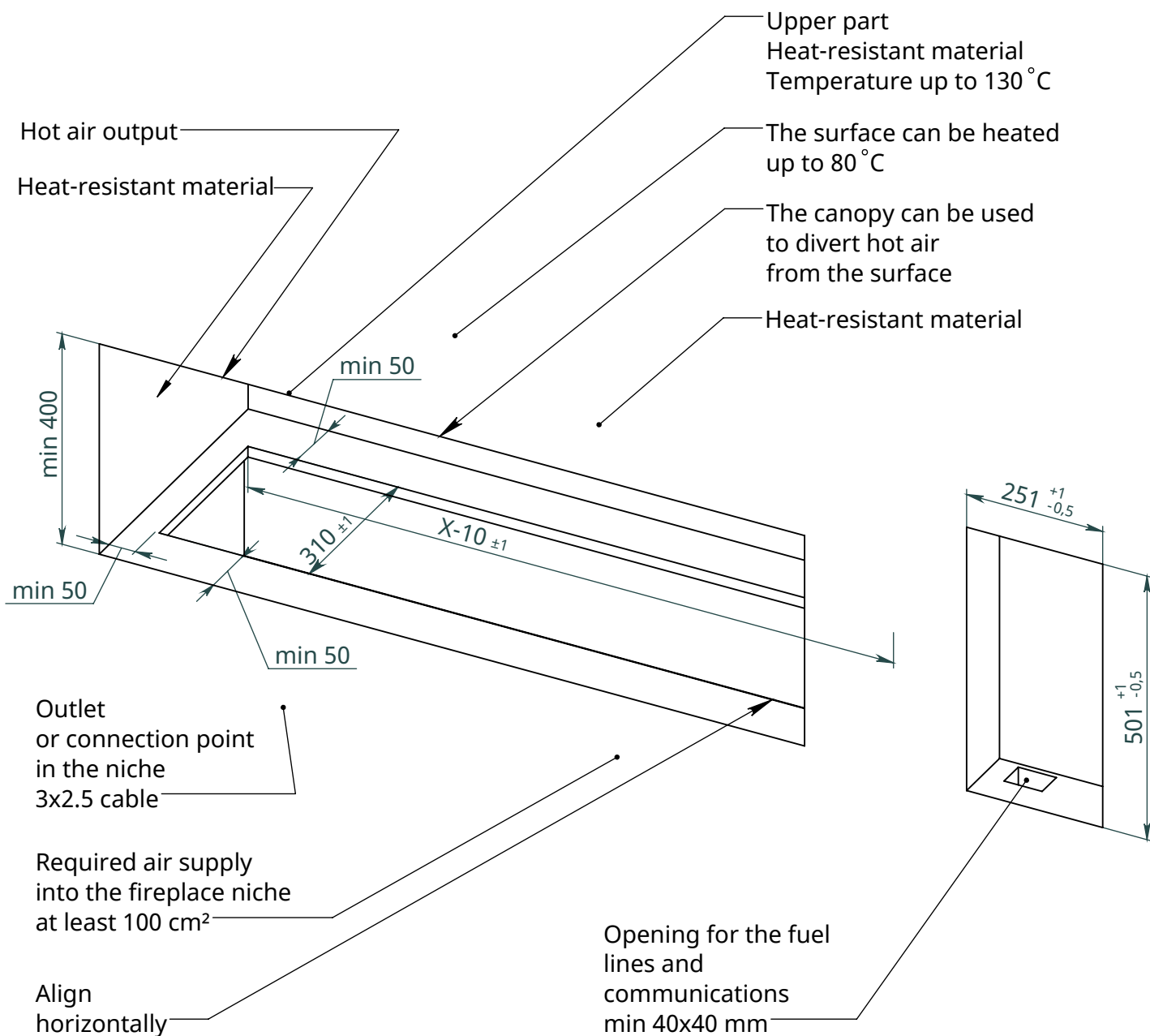






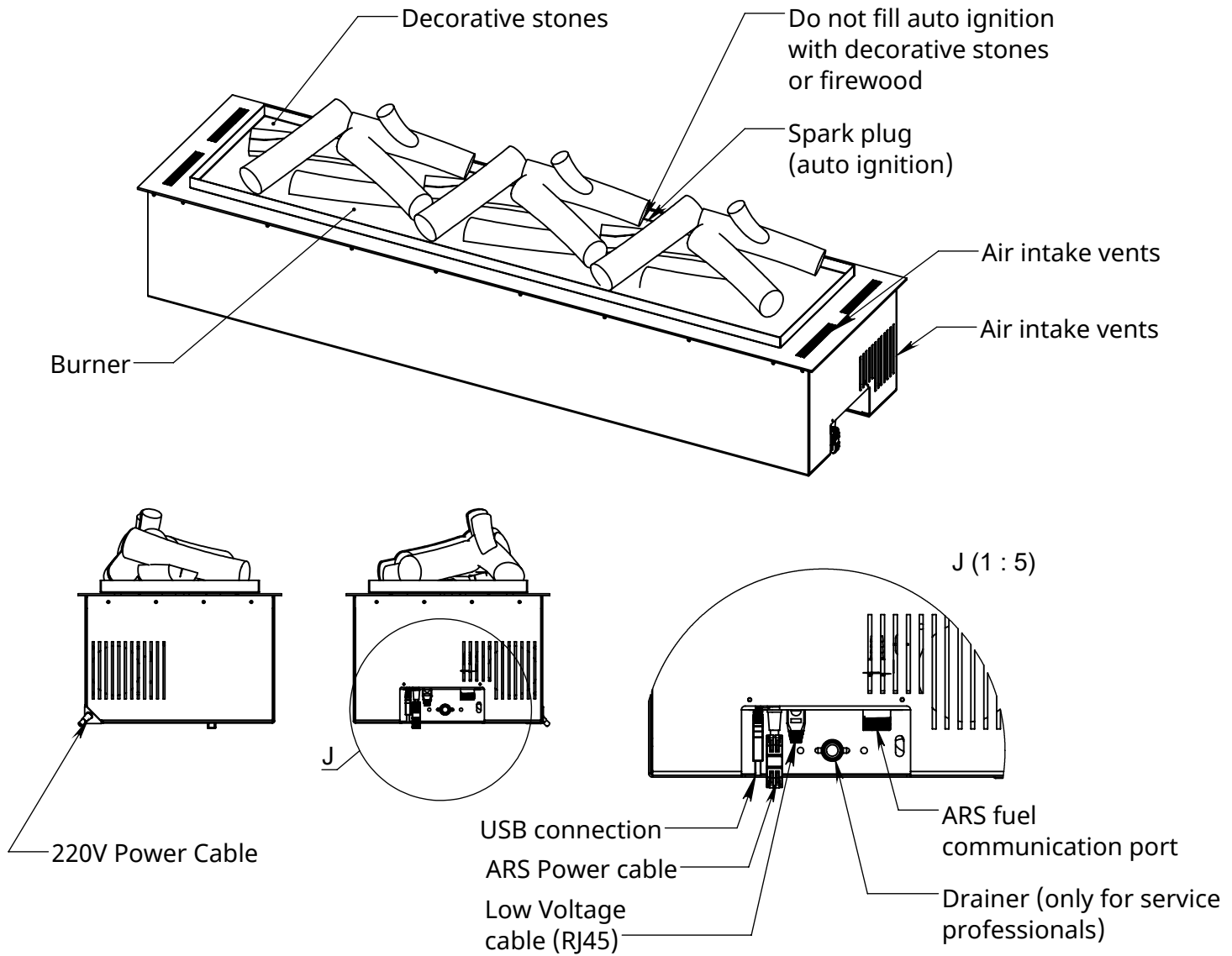
It is necessary to provide
a passageway for fuel line and
opening $\phi 40$

Fuel line length not more than 2.5m

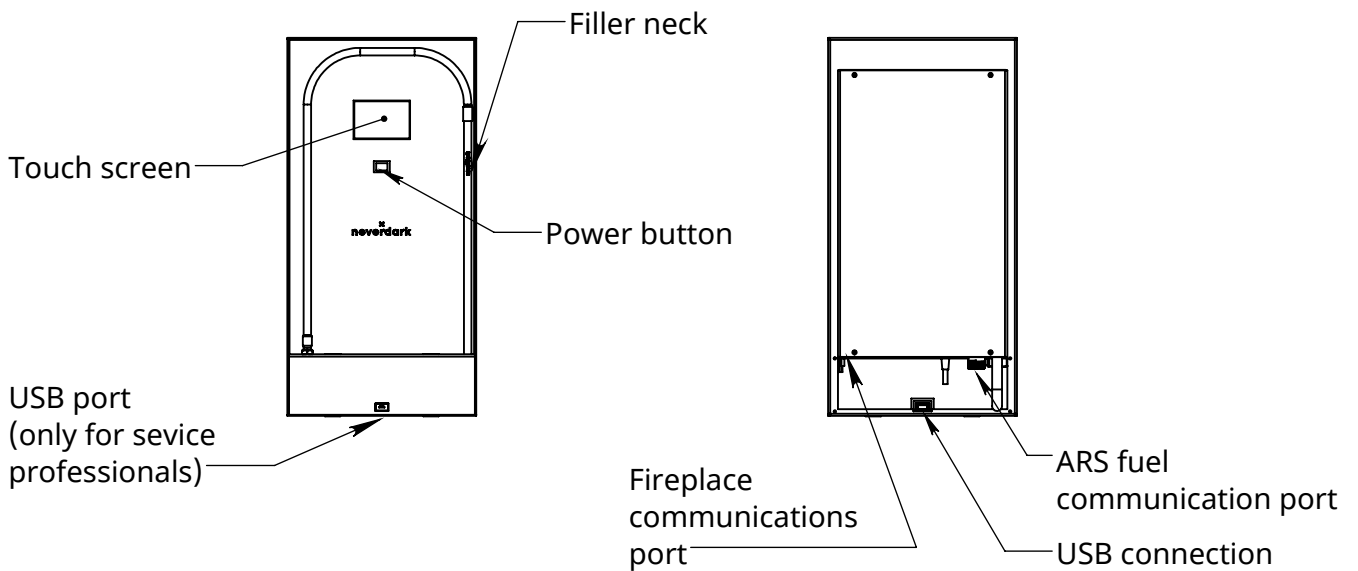


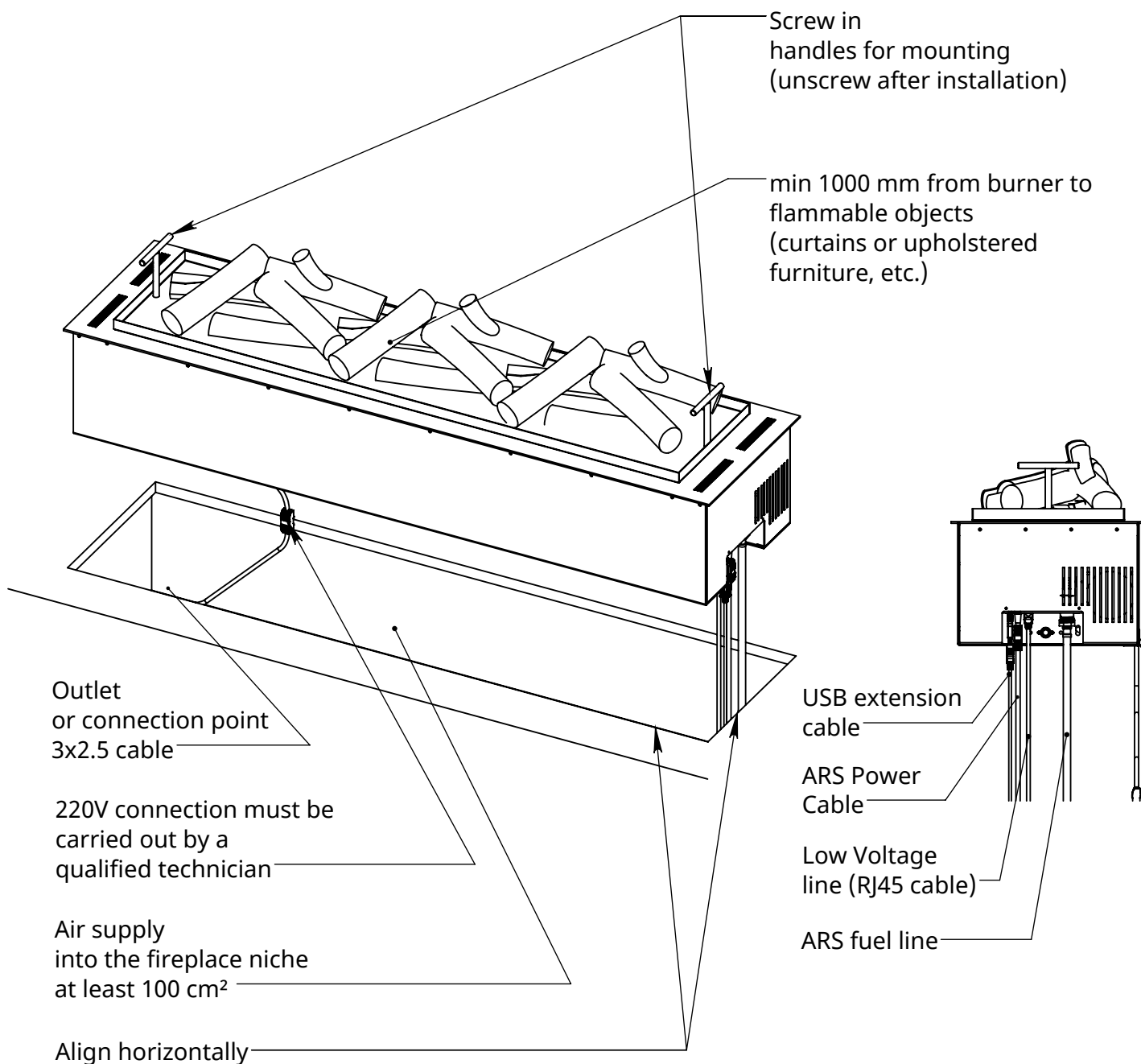
WARNING!

The manufacturer does not recommend placing objects above or next to the fireplace that are sensitive to high temperatures, as this can significantly shorten their service life. If the technical documentation were not followed, the manufacturer is not responsible for any damage to objects above or next to the fireplace resulting from exposure to high temperatures.



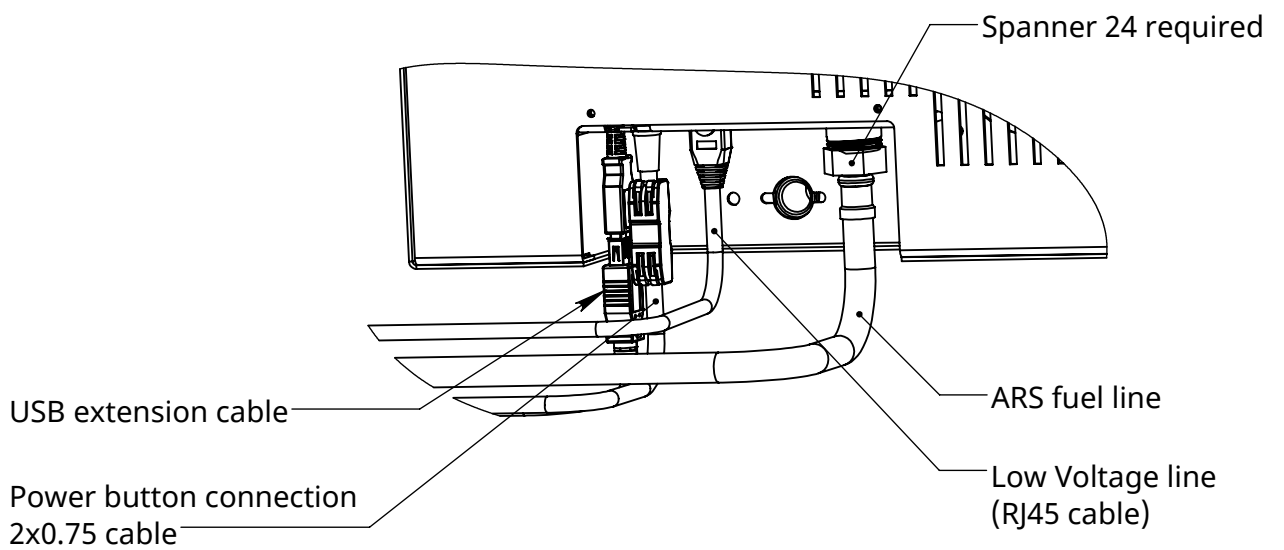
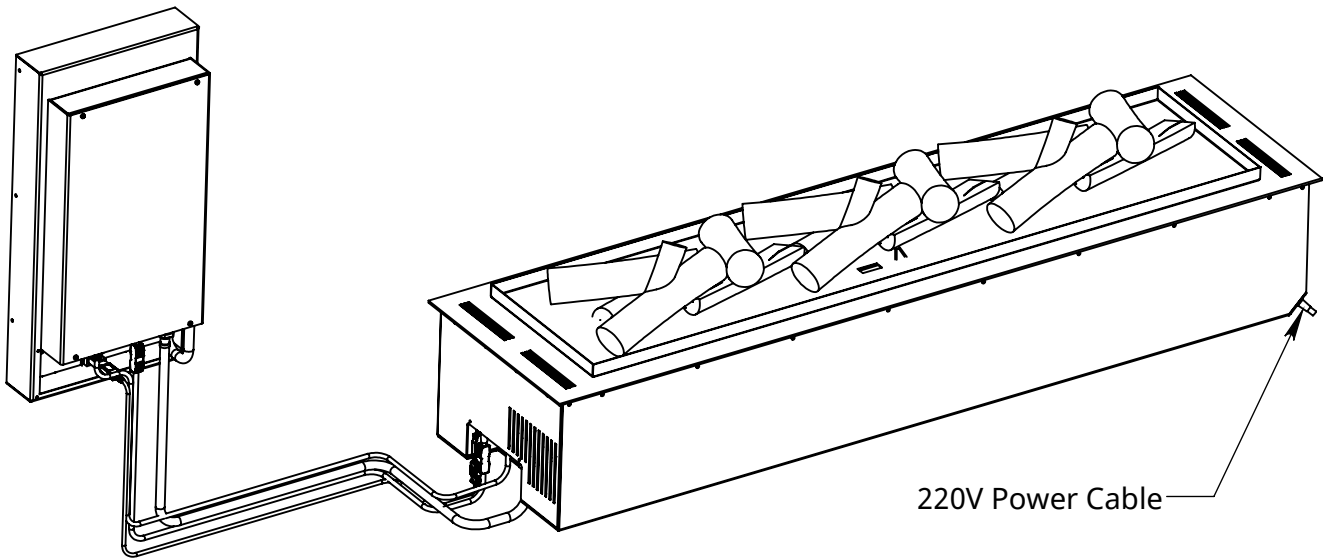
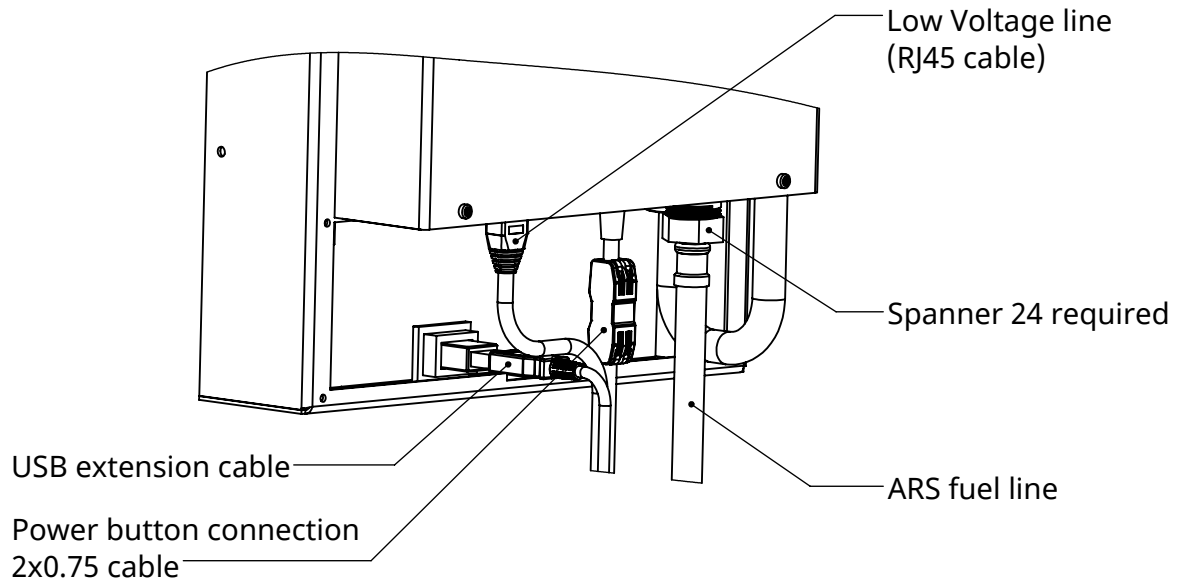
ARS (External module for control and refueling)





WARNING!

- Installation of the fireplace not on a horizontal level can lead to malfunction of the fireplace and possible fuel spillage;
- Only a qualified specialist should connect the cable to the power grid;
- The fireplace must be mounted in the prepared niche by holding the previously installed handles for installation, then the handles must be removed (unscrewed) and not used during the operation of the fireplace;
- If it is necessary to remove the fireplace from the niche, reinstall the installation handles;
- Ensure that the product is correctly installed and read the user manual supplied with it;
- Do not fill the fuel tank and do not turn on the fireplace without first reading the user manual;
- If it becomes necessary to remove the fireplace from niche, wait until the fuel has burned out completely and the display shows the message that the tank is empty, then disconnect the fireplace from the power supply and remove it from the niche.



Parameters		Fireplace model		
		Chalet-II 700	Chalet-II 950	Chalet-II 1200
Tank volume, l	Standard	4,2	6,2	8,1
	Enlarged Fuel Tank (EFT)	9,6	13,9	18,2
Consumption, l / h (Min / Max)		0,4 / 0,7	0,6 / 1	0,8 / 1,3
Average consumption, l / h (Min / Max)		0,6	0,8	1,1
Burning time, h (Min / Max)	Standard	6,0 / 10,5	6,2 / 10,3	6,2 / 10,1
	Enlarged Fuel Tank (EFT)	13,7 / 24,0	13,9 / 23,2	14,0 / 22,8
Room size*, m ² (Min / Recommended)		19 / 48	27 / 68	35 / 88
Maximum power consumption, kW		0,55	0,55	0,55
Heat power, kW (Min / Max)		2,6 / 4,6	3,9 / 6,5	5,2 / 8,5
Air consumption, m ³ /h (Min / Max)		0,7 / 1,3	1,1 / 1,9	1,5 / 2,4
CO ₂ release, m ³ /h (Min / Max)		0,3 / 0,6	0,5 / 0,8	0,6 / 1,0

* Using a ventilation system

- Keep away from children;
- Ensure that the wall/table/floor on which you place the appliance can support its weight;
- Install only in a place protected from draughts;
- Do not cover top and side ventilation grids;
- Do not place flammable objects on the appliance;
- Keep a carbon dioxide fire extinguisher within sight;
- The use of a separate line with a fuse and/or circuit breaker is compulsory;
- For comfortable use of the fireplace it is necessary to ensure the supply of fresh air into the room and a removal of combustion products. It can be a ventilation extractor, recuperator or an opened window;
- Keep these installation instructions for the life of the fireplace.